

**BEGA****45 490.3**

Pendant luminaire for indoor use

Project · Reference number

Date

**Product data sheet****Application**

Pendant luminaire · indoor luminaire for free-radiating and uniform light with hand-blown opal glass, satin matt and metal housing.

**Product description**

Metal housing and canopy, chrome finish  
 Hand-blown opal glass, satin matt  
 Black flex suspension  $3 \times 0.75$  □  
 with 1 steel messenger wire  
 Overall length of luminaire approx. 2200 mm  
 Connection terminal 2.5 □  
 Earth conductor connection  
 Lampholder E 27  
 Safety class I  
 CE – Conformity mark  
 Weight: 4.6 kg

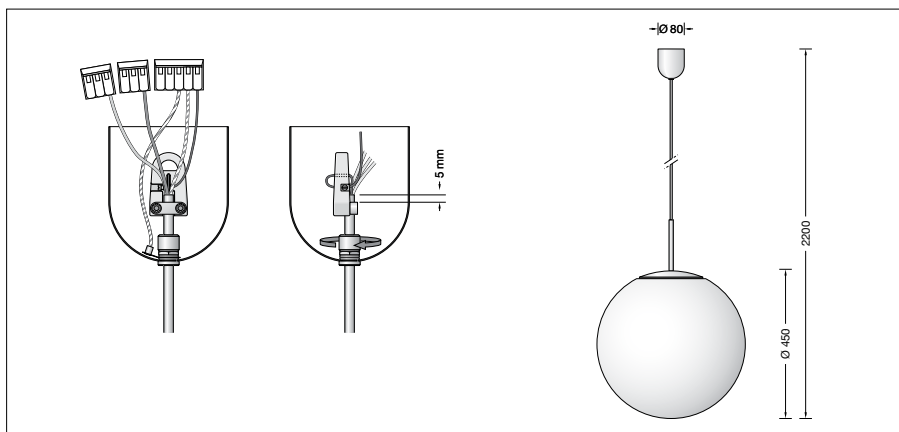
**Lamps**

Luminaire with lampholder E 27  
 Lamp output max. 200 W

For this luminaire we recommend the following BEGA LED lamps:

- 13 510** LED 7 W · 805 lm · 2700 K
- 13 548** LED 7 W · 805 lm · 2700 K  
dimmmable
- 13 512** LED 8 W · 1055 lm · 2700 K
- 13 564** LED 12 W · 1400 lm · 2700 K
- 13 565** LED 12 W · 1400 lm · 2700 K  
dimmmable

Detailed technical and lighting data for the lamps can be found in the data sheets on our website.

**Article No. 45 490.3**

Optional finishes

- White enamel code number **.1**
- Stainless steel code number **.2**
- Chrome code number **.3**
- Brass code number **.4**

If the article number is followed by a **P**, we can also supply these luminaires in impact-resistant synthetic material.