

BEGA**45 486.3**

Pendant luminaire for indoor use

Project · Reference number

Date

Product data sheet**Application**

Pendant luminaire · indoor luminaire for free-radiating and uniform light with hand-blown opal glass, satin matt and metal housing.

Product description

Metal housing and canopy, chrome finish
 Hand-blown opal glass, satin matt
 Black flex suspension 3×0.75 □
 with 1 steel messenger wire
 Overall length of luminaire approx. 2000 mm
 Connection terminal 2.5 □
 Earth conductor connection
 Lampholder E 27
 Safety class I
 CE – Conformity mark
 Weight: 1.5 kg

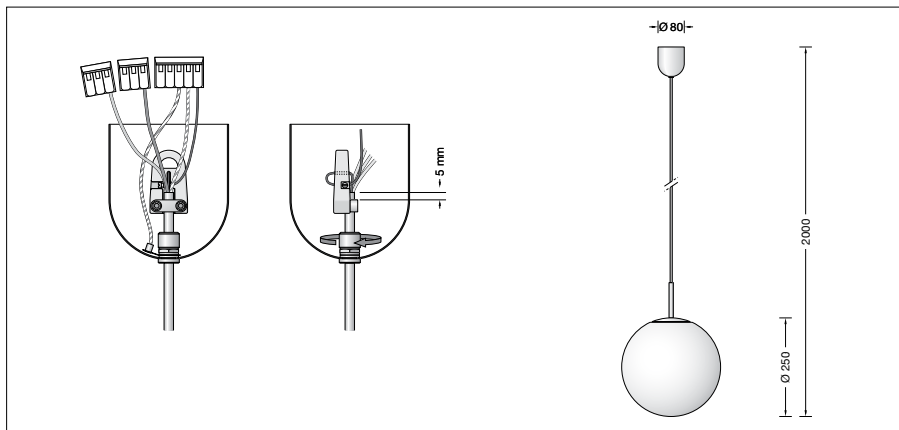
Lamps

Luminaire with lampholder E 27
 Lamp output max. 100 W

For this luminaire we recommend the following BEGA LED lamps:

- 13510** LED 7 W · 805 lm · 2700 K
- 13548** LED 7 W · 805 lm · 2700 K
dimnable
- 13512** LED 8 W · 1055 lm · 2700 K
- 13564** LED 12 W · 1400 lm · 2700 K
- 13565** LED 12 W · 1400 lm · 2700 K
dimnable

Detailed technical and lighting data for the lamps can be found in the data sheets on our website.

**Article No. 45 486.3**

Optional finishes

- White enamel code number **.1**
- Stainless steel code number **.2**
- Chrome code number **.3**
- Brass code number **.4**

If the article number is followed by a **P**, we can also supply these luminaires in impact-resistant synthetic material.