

**BEGA****45 486.2**

Pendant luminaire for indoor use

Project · Reference number

Date

**Product data sheet****Application**

Pendant luminaire · indoor luminaire for free-radiating and uniform light with hand-blown opal glass, satin matt and metal housing.

**Product description**

Stainless steel fitter and canopy  
 Hand-blown opal glass, satin matt  
 Black flex suspension  $3 \times 0.75 \square$   
 with 1 steel messenger wire  
 Overall length of luminaire approx. 2000 mm  
 Connection terminal  $2.5 \square$   
 Earth conductor connection  
 Lampholder E 27  
 Safety class I  
**CE** – Conformity mark  
 Weight: 1.5 kg

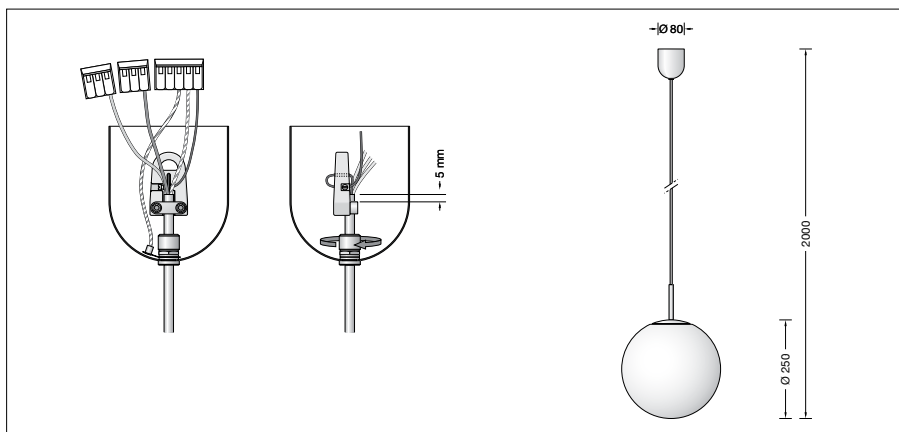
**Lamps**

Luminaire with lampholder E 27  
 Lamp output max. 100 W

For this luminaire we recommend the following BEGA LED lamps:

- 13510** LED 7 W · 805 lm · 2700 K  
**13548** LED 7 W · 805 lm · 2700 K  
 dimmable  
**13512** LED 8 W · 1055 lm · 2700 K  
**13564** LED 12 W · 1400 lm · 2700 K  
**13565** LED 12 W · 1400 lm · 2700 K  
 dimmable

Detailed technical and lighting data for the lamps can be found in the data sheets on our website.

**Article No. 45 486.2**

Optional finishes

- White enamel code number **.1**
- Stainless steel code number **.2**
- Chrome code number **.3**
- Brass code number **.4**

If the article number is followed by a **P**, we can also supply these luminaires in impact-resistant synthetic material.