

BEGA**45 416.3**

Pendant luminaire for indoor use

Project · Reference number

Date

Product data sheet**Application**

Pendant luminaire · indoor luminaire for free-radiating and uniform light with hand-blown opal glass, satin matt and metal housing.

Product description

Metal housing and canopy, chrome finish
 Hand-blown opal glass, satin matt
 Black flex suspension $3 \times 0.75 \square$ with 1 steel messenger wire
 Overall length of luminaire approx. 2200 mm
 Connecting terminals $2.5 \square$
 Earth conductor connection
 Lampholder E 27
 Safety class I
CE – Conformity mark
 Weight: 4.4 kg

Light technique

Luminaire data for the light planning program DIALux for outdoor lighting, street lighting and indoor lighting as well as luminaire data in EULUMDAT- and IES-format you will find on the BEGA web page www.bega.com.

Lamps

Luminaire with lampholder E 27
 Lamp output max. $2 \times 150 \text{ W}$

For this luminaire we recommend the following BEGA LED lamps:

13510 LED 7 W · 805 lm · 2700 K

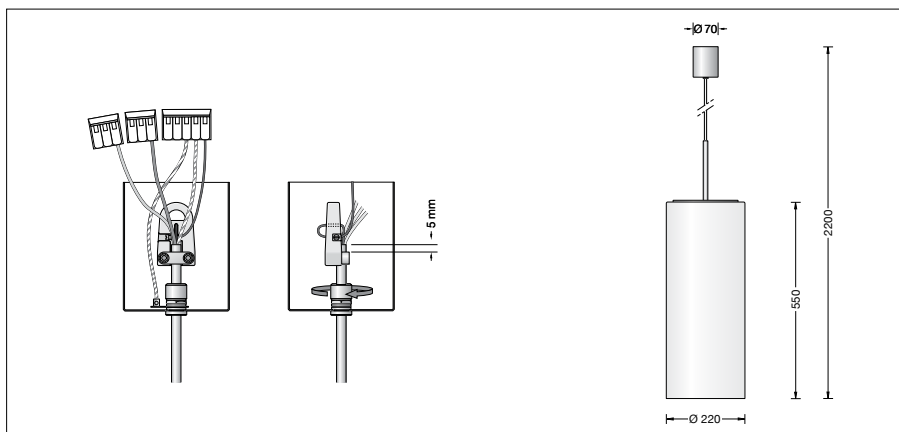
13548 LED 7 W · 805 lm · 2700 K
 dimmable

13512 LED 8 W · 1055 lm · 2700 K

13564 LED 12 W · 1400 lm · 2700 K

13565 LED 12 W · 1400 lm · 2700 K
 dimmable

Detailed technical and lighting data for the lamps can be found in the data sheets on our website.

**Article No. 45 416.3**

Finish options

- Enamel, white
- Chrome

Code number **.1**Code number **.3**