

**BEGA****45 414.3**

Pendant luminaire for indoor use

Project · Reference number

Date

**Product data sheet****Application**

Pendant luminaire · indoor luminaire for free-radiating and uniform light with hand-blown opal glass, satin matt and metal housing.

**Product description**

Metal housing and canopy, chrome finish  
 Hand-blown opal glass, satin matt  
 Black flex suspension  $3 \times 0.75$  □ with 1 steel messenger wire  
 Overall length of luminaire approx. 2050 mm  
 Connecting terminals and earth conductor terminal 2,5<sup>□</sup>  
 Lampholder E 27  
 Safety class I  
**CE** – Conformity mark  
 Weight: 1.4 kg

**Light technique**

Luminaire data for the light planning program DIALux for outdoor lighting, street lighting and indoor lighting as well as luminaire data in EULUMDAT- and IES-format you will find on the BEGA web page [www.bega.com](http://www.bega.com).

**Lamps**

Luminaire with lampholder E 27  
 Lamp output max. 150 W

For this luminaire we recommend the following BEGA LED lamps:

**13510** LED 7 W · 805 lm · 2700 K

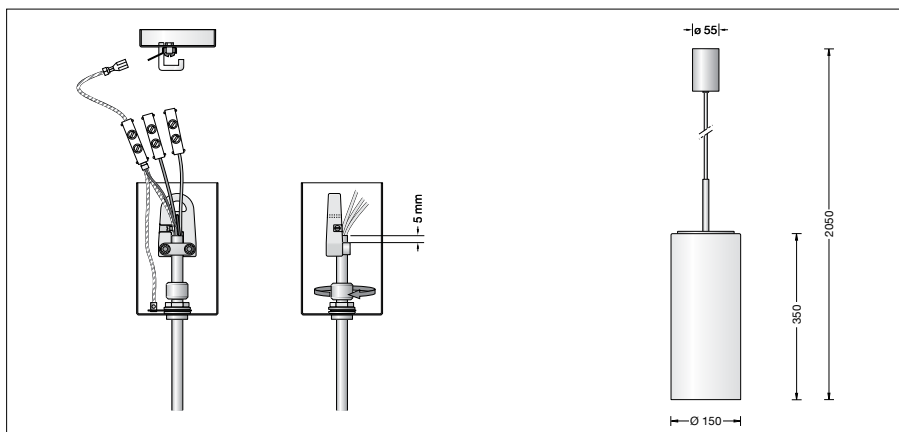
**13548** LED 7 W · 805 lm · 2700 K  
 dimmable

**13512** LED 8 W · 1055 lm · 2700 K

**13564** LED 12 W · 1400 lm · 2700 K

**13565** LED 12 W · 1400 lm · 2700 K  
 dimmable

Detailed technical and lighting data for the lamps can be found in the data sheets on our website.

**Article No. 45 414.3**

Finish options

- Enamel, white
- Chrome

Code number **.1**Code number **.3**