

BEGA**34 984.1**

Recessed ceiling luminaire for indoor use



Project · Reference number

Date

Product data sheet

Application

Recessed LED-ceiling luminaire · indoor luminaire with crystal glass inside and aluminium alloy housing for connection to external LED power supply unit.
For installation into false ceilings with a shallow depth in interior areas and for max. 45° ceiling inclination.

Product description

Recessed ceiling luminaire »ACCENTA PLUS«
Die-cast aluminium housing
Crystal glass
Metal ceiling frame ring, finish white enamel
Reflector of anodised pure aluminium · narrow beam
Fixing is achieved by using 2 adjustable wedge-shaped claws
1 connecting cable with strain relief and plug connector system for BEGA power supply unit, on/off or DALI
Safety class III
CE – Conformity mark
Weight: 0.3 kg

Lighting technology

Half beam angle 15°
Luminaire data for the light planning program DIALux for outdoor lighting, street lighting and interior lighting as well as luminaire data in EULUMDAT and IES format are available on our website www.bega.com.

Lamp

Module connected wattage	12.3 W
Luminaire connected wattage	14.3 W
Rated temperature	$t_a = 25 \text{ °C}$
Ambient temperature	$t_{a \text{ max}} = 25 \text{ °C}$

34 984.1 K3

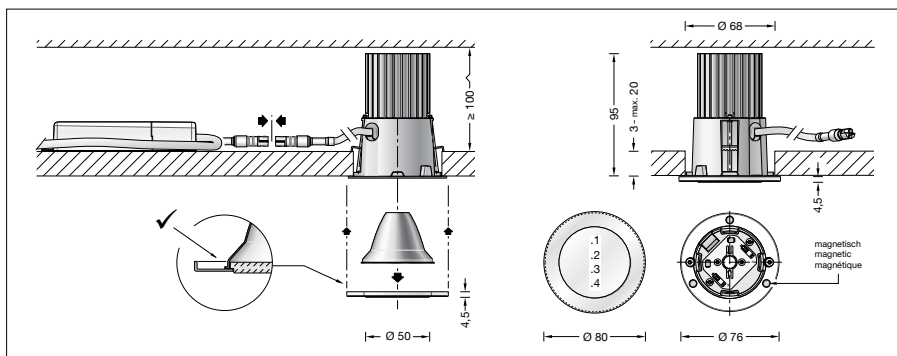
Module designation	LED-0423/930
Colour temperature	3000 K
Colour rendering index	CRI > 90
Module luminous flux	1640 lm
Luminaire luminous flux	817 lm
Luminaire luminous efficiency	57,1 lm/W

34 984.1 K2

Module designation	LED-0423/927
Colour temperature	2700 K
Colour rendering index	CRI > 90
Module luminous flux	1575 lm
Luminaire luminous flux	785 lm
Luminaire luminous efficiency	54,9 lm/W

Service life of the LED

max. ambient temperature $t_a = 25 \text{ °C}$
– at 185,000h: L70B50



Accessories

Power supply units for LED luminaires
220-240 V · 0/50-60 Hz with strain relief and plug connector system.

13 144 Power supply unit on/off

13 169 Power supply unit DALI

The power supply units are only suitable for the operation of one LED luminaire.

For the accessories a separate instructions for use can be provided upon request.

Article No. 34 984.1

Colour temperature 3000 K.
Also available with 2700 K on request.
3000 K – article number + **K3**
2700 K – article number + **K2**

Trim ring optionally available in:

- Metal, white Code number **.1**
- Stainless steel Code number **.2**
- Polished stainless steel Code number **.3**
- Brass Code number **.4**