

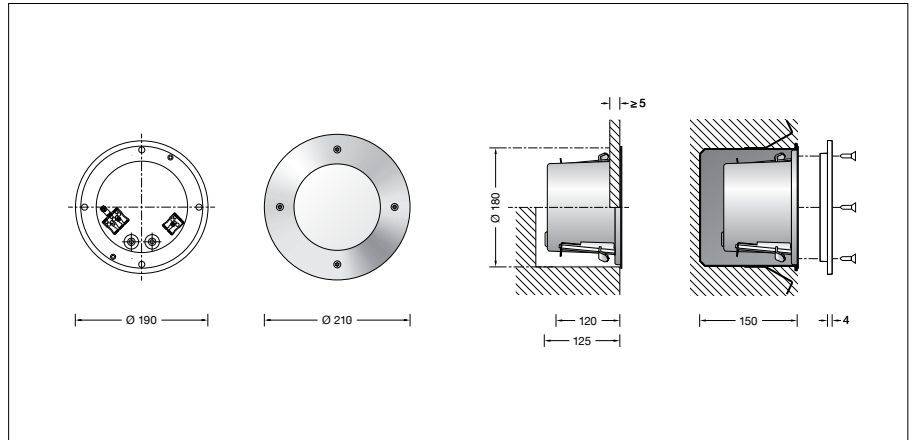
**BEGA****33 309**

Recessed wall luminaire



Project · Reference number

Date



## Product data sheet

### Product description

Luminaire made of stainless steel  
 Steel grade no. 1.4301  
 Safety glass, white  
 Silicone gasket  
 Recessed opening  $\varnothing$  180 mm  
 Recessed depth required 125 mm  
 Fixing is achieved by using two adjustable wedge-shaped claws  
 2 cable entries for through-wiring of mains supply cable  $\varnothing$  7-10.5 mm, max. 5G1.5<sup>□</sup>  
 Connection terminal 2.5<sup>□</sup>  
 Earth conductor connection  
 LED power supply unit  
 220-240 V  $\sim$  0/50-60 Hz  
 DC 176-276 V  
 DALI controllable  
 A basic isolation exists between power cable and control line  
 BEGA Thermal Control<sup>®</sup>  
 Temporary thermal regulation to protect temperature-sensitive components without switching off the luminaire  
 Safety class I  
 Protection class IP 65  
 Dust-tight and protection against water jets  
 Impact strength IK10  
 Protection against mechanical impacts < 20 joule  
 – Safety mark  
 – Conformity mark  
 Weight: 1.8 kg

### Application

Unshielded recessed wall luminaire made of stainless steel.  
 A luminaire with orientating, leading and demarcating function.  
 The fixing system of the luminaire allows an easy installation in enclosed or hollow constructions without additional fixing holes.  
 For the installation in walls made of concrete or brick work a suitable installation housing is available.

### Lamp

Module connected wattage	4 W
Luminaire connected wattage	6.2 W
Rated temperature	$t_a = 25 \text{ }^\circ\text{C}$
Ambient temperature	$t_{a \text{ max}} = 40 \text{ }^\circ\text{C}$
When installed in heat-insulating material	$t_{a \text{ max}} = 25 \text{ }^\circ\text{C}$

On request we can offer you modifications for environments with higher temperatures as a customized product.

### 33 309 K3

Module designation	LED-0684/830
Colour temperature	3000 K
Colour rendering index	CRI > 80
Module luminous flux	560 lm
Luminaire luminous flux	176 lm
Luminaire luminous efficiency	28,4 lm/W

### 33 309 K4

Module designation	LED-0684/840
Colour temperature	4000 K
Colour rendering index	CRI > 80
Module luminous flux	590 lm
Luminaire luminous flux	185 lm
Luminaire luminous efficiency	29,8 lm/W

### Inrush current

Inrush current: 12 A / 24.2  $\mu\text{s}$   
 Maximum number of luminaires of this type per miniature circuit breaker:  
 B 10A: 50 luminaires  
 B 16A: 50 luminaires  
 C 10A: 50 luminaires  
 C 16A: 50 luminaires

### Light technique

Luminaire data for the light planning program DIALux for outdoor lighting, street lighting and indoor lighting as well as luminaire data in EULUMDAT- and IES-format you will find on the BEGA web page [www.bega.com](http://www.bega.com).

### Service life · Ambient temperature

Rated temperature $t_a = 25 \text{ }^\circ\text{C}$	
LED psu:	> 50,000 h
LED module:	> 200,000 h (L80B50) 100,000 h (L90B50)

Ambient temperature $t_{a \text{ max}} = 40 \text{ }^\circ\text{C}$ (100 %)	
LED psu:	50,000 h
LED module:	170,000 h (L80B50)

### Article No. 33 309

LED colour temperature optionally 3000K or 4000K  
 3000 K – Article number + **K3**  
 4000 K – Article number + **K4**

### Accessories

**10 429** Installation housing

A separate instructions for use can be provided upon request.

### Light distribution

