

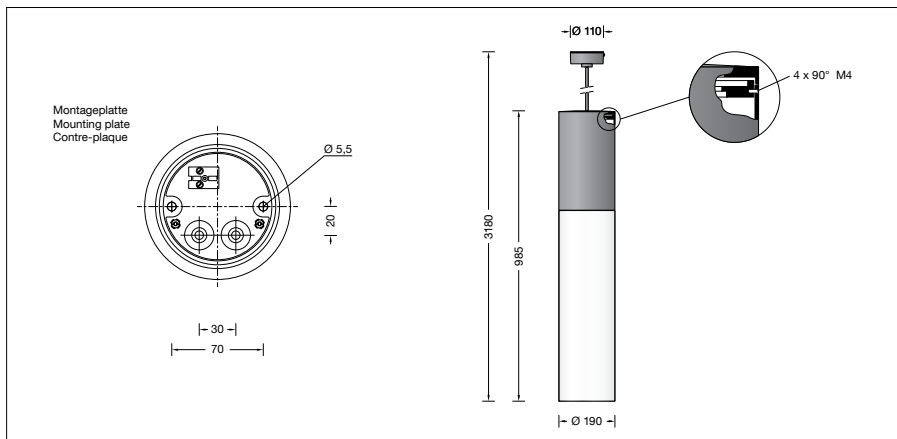
BEGA**24 508**

Pendant luminaire

IP 65

Project · Reference number

Date



Product data sheet

Product description

Luminaire made of aluminium alloy,
aluminium and stainless steel
Synthetic diffuser, clear
Reflector made of pure anodised aluminium
4 drilled holes with thread M4 to which tension
cables preventing pendulum movement can
be fixed
Mounting plate with 2 fixing
holes \varnothing 5.5 mm · 70 mm spacing
2 cable entries for through-wiring of mains
supply cable \varnothing 7-10.5 mm, max. 5 G 1.5[□]
Cable pendant H05RN-F 5 G 1[□]
with 2 steel cords · Colour black
Connecting terminal 2.5[□]
with plug connection
Earth conductor connection
LED power supply unit
220-240 V \sim 0/50-60 Hz
DC 176-264 V
During DC operation the LED power
is reduced to 50 %
DALI controllable
A basic isolation exists between power cable
and control line
Safety class I
Protection class IP 65
Dust-tight and protection against water jets
Impact strength IK07
Protection against mechanical
impacts < 2 joule
CE – Conformity mark
Weight: 7.0 kg

Application

LED pendant with symmetrical broad spread
light distribution for mounting in arcades,
galleries and passageways.

An integral reflector unit directs the light
downwards in a rotationally symmetrical wide
beam.

When installed in exterior applications, the
luminaire must be protected from constant
pendulum movement due to wind.

Lamp

Module connected wattage	35.3 W
Luminaire connected wattage	39.6 W
Rated temperature	$t_a = 25 \text{ }^\circ\text{C}$
Ambient temperature	$t_{a \text{ max}} = 30 \text{ }^\circ\text{C}$

On request we can offer you modifications for
environments with higher temperatures as a
customized product.

24 508 K3

Module designation	LED-0770/830
Colour temperature	3000 K
Colour rendering index	CRI > 80
Module luminous flux	6675 lm
Luminaire luminous flux	4724 lm
Luminaire luminous efficiency	119,3 lm/W

24 508 K4

Module designation	LED-0770/840
Colour temperature	4000 K
Colour rendering index	CRI > 80
Module luminous flux	6865 lm
Luminaire luminous flux	4859 lm
Luminaire luminous efficiency	122,7 lm/W

Light technique

Luminaire data for the light planning program
DIALux for outdoor lighting, street lighting and
indoor lighting as well as luminaire data in
EULUMDAT- and IES-format you will find on the
BEGA web page www.bega.com.

Inrush current

Inrush current: 5 A / 100 μ s
Maximum number of luminaires of this
type per miniature circuit breaker:
B 10A: 27 luminaires
B 16A: 44 luminaires
C 10A: 27 luminaires
C 16A: 44 luminaires

Service life · Ambient temperature

Rated temperature $t_a = 25 \text{ }^\circ\text{C}$
LED psu: > 50,000 h
LED module: > 200,000 h (L80B50)
100,000 h (L90B50)

Ambient temperature $t_{a \text{ max}} = 30 \text{ }^\circ\text{C}$ (100 %)
LED psu: 50,000 h
LED module: > 200,000 h (L80B50)
100,000 h (L90B50)

Article No. 24 508

LED colour temperature optionally 3000K
or 4000K
3000 K – Article number + **K3**
4000 K – Article number + **K4**

Light distribution