

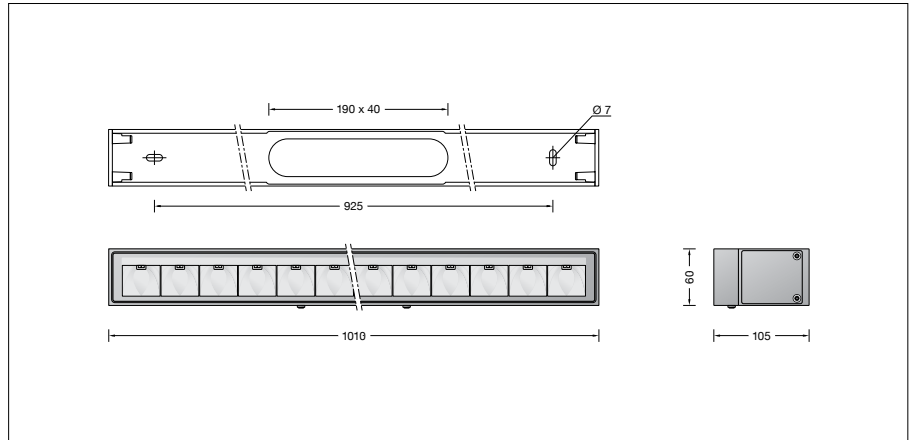
BEGA**24 316**

Ceiling mounted downlight




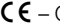
Project · Reference number

Date



Product data sheet

Product description

Luminaire made of aluminium alloy, aluminium and stainless steel
 BEGA Unidure® coating technology
 Matt safety glass
 Silicone gasket
 BEGA Vortex Optics®
 Reflector surface made of pure aluminium
 Mounting bar with 2 elongated holes
 7 mm width, 925 mm spacing
 2 screw cable glands with strain relief for through-wiring of the mains supply cable from \varnothing 7,5-12,5 mm, max. $5 \times 1,5^{\square}$
 1 screw cable gland closed at the factory with a dummy plug
 Connecting terminal 2.5 $^{\square}$ with plug connection
 Earth conductor connection
 LED power supply unit
 220-240 V \sim 0/50-60 Hz
 DC 176-276 V
 During DC operation the LED power is reduced to 15 %
 DALI controllable
 A basic isolation exists between power cable and control line
 BEGA Thermal Control®
 Temporary thermal regulation to protect temperature-sensitive components without switching off the luminaire
 Safety class I
 Protection class IP 65
 Dust-tight and protection against water jets
 Impact strength IK07
 Protection against mechanical impacts < 2 joule
 – Safety mark
 – Conformity mark
 Weight: 6.2 kg

Application

Surface mounted LED downlight with asymmetrical light distribution.
 By arraying single luminaires in line light bands of different length can be arranged.
 A luminaire for linear illumination in interior and exterior application.

Lamp

Module connected wattage 31.6 W
 Luminaire connected wattage 35.6 W
 Rated temperature $t_a = 25^{\circ}\text{C}$
 Ambient temperature $t_{a\text{max}} = 55^{\circ}\text{C}$

24 316 K3

Module designation LED-0771/830
 Colour temperature 3000 K
 Colour rendering index CRI > 80
 Module luminous flux 5700 lm
 Luminaire luminous flux 4024 lm
 Luminaire luminous efficiency 113 lm/W

24 316 K4

Module designation LED-0771/840
 Colour temperature 4000 K
 Colour rendering index CRI > 80
 Module luminous flux 5860 lm
 Luminaire luminous flux 4151 lm
 Luminaire luminous efficiency 116,6 lm/W

Service life · Ambient temperature

Rated temperature $t_a = 25^{\circ}\text{C}$
 LED psu: > 50,000 h
 LED module: > 200,000 h (L80 B50)
 100,000 h (L90 B50)

Ambient temperature $t_{a\text{max}} = 55^{\circ}\text{C}$ (100 %)
 LED psu: 50,000 h
 LED module: 71,000 h (L80 B50)
 100,000 h (L70 B50)

Inrush current

Inrush current: 20 A / 200 μs
 Maximum number of luminaires of this type per miniature circuit breaker:
 B 10A: 14 luminaires
 B 16A: 24 luminaires
 C 10A: 14 luminaires
 C 16A: 24 luminaires

Lighting technology

Half beam angle 42/50°
 Luminaire data for the light planning program DIALux for outdoor lighting, street lighting and interior lighting as well as luminaire data in EULUMDAT and IES format are available on our website www.bega.com.

Article No. 24 316

LED colour temperature optionally 3000 K or 4000 K
 3000 K – Article number + **K3**
 4000 K – Article number + **K4**

Light distribution

