

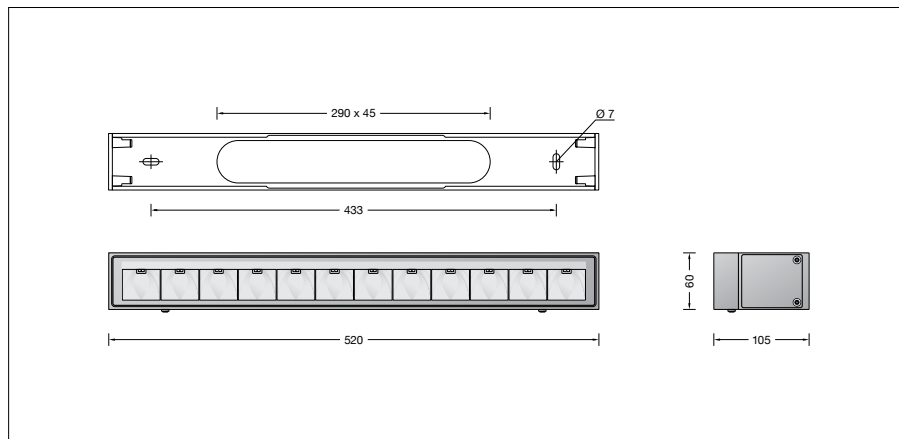
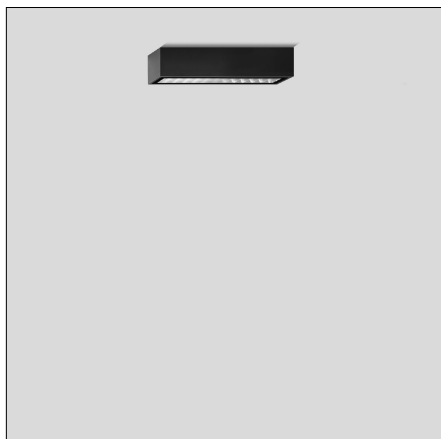
BEGA**24 315**

Ceiling mounted downlight




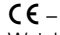
Project · Reference number

Date



Product data sheet

Product description

Luminaire made of aluminium alloy, aluminium and stainless steel
 BEGA Unidure® coating technology
 Matt safety glass
 Silicone gasket
 Reflector surface made of pure aluminium
 Mounting bar with 2 elongated holes
 7 mm width, 433 mm spacing
 2 screw cable glands with strain relief for through-wiring of the mains supply cable from \varnothing 7,5-12,5 mm, max. $5 \times 1,5^{\square}$
 1 screw cable gland closed at the factory with a dummy plug
 Connecting terminal 2.5^{\square} with plug connection
 Earth conductor connection
 LED power supply unit
 220-240 V \sim 0/50-60 Hz
 DC 176-264 V
 DALI controllable
 A basic isolation exists between power cable and control line
 BEGA Thermal Control®
 Temporary thermal regulation to protect temperature-sensitive components without switching off the luminaire
 Safety class I
 Protection class IP 65
 Dust-tight and protection against water jets
 Impact strength IK07
 Protection against mechanical impacts < 2 joule
 – Safety mark
 – Conformity mark
 Weight: 3.2 kg

Application

Surface mounted LED downlight with asymmetrical light distribution.
 By arraying single luminaires in line light bands of different length can be arranged.
 A luminaire for linear illumination in interior and exterior application.

Lamp

Module connected wattage	15.8 W
Luminaire connected wattage	18.3 W
Rated temperature	$t_a = 25^{\circ}\text{C}$
Ambient temperature	$t_{a\text{max}} = 55^{\circ}\text{C}$

24 315 K3

Module designation	LED-0771/830
Colour temperature	3000 K
Colour rendering index	CRI > 80
Module luminous flux	2950 lm
Luminaire luminous flux	1979 lm
Luminaire luminous efficiency	108,1 lm/W

24 315 K4

Module designation	LED-0771/840
Colour temperature	4000 K
Colour rendering index	CRI > 80
Module luminous flux	3030 lm
Luminaire luminous flux	2042 lm
Luminaire luminous efficiency	111,6 lm/W

Inrush current

Inrush current: 5 A / 100 μs
 Maximum number of luminaires of this type per miniature circuit breaker:
 B 10A: 42 luminaires
 B 16A: 68 luminaires
 C 10A: 42 luminaires
 C 16A: 68 luminaires

Lighting technology

Half beam angle 42/50°
 Luminaire data for the light planning program DIALux for outdoor lighting, street lighting and interior lighting as well as luminaire data in EULUMDAT and IES format are available on our website www.bega.com.

Service life · Ambient temperature

Rated temperature $t_a = 25^{\circ}\text{C}$	
LED psu:	> 50,000 h
LED module:	> 200,000 h (L 80 B 50) 100,000 h (L 90 B 50)

Ambient temperature $t_{a\text{max}} = 55^{\circ}\text{C}$ (100 %)	
LED psu:	50,000 h
LED module:	78,000 h (L 80 B 50)

Article No. 24 315

LED colour temperature optionally 3000K or 4000K
 3000 K – Article number + **K3**
 4000 K – Article number + **K4**

Light distribution

