

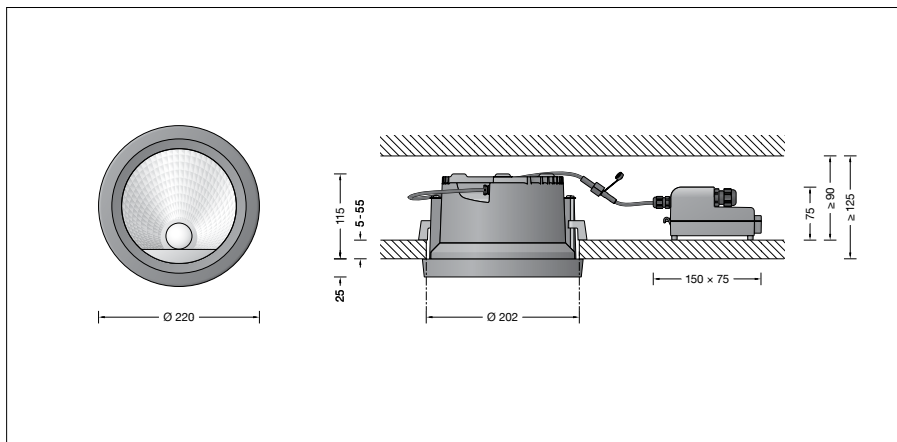
**BEGA****24 265**

Recessed ceiling downlight



Project · Reference number

Date



## Product data sheet

**Application**

LED recessed ceiling downlight with external DALI controllable power supply unit for installation into concrete ceilings or suspended ceilings both indoors and out. With asymmetrical light distribution.

**Product description**

Luminaire made of aluminium alloy, aluminium and stainless steel  
 BEGA Unidure® coating technology  
 Cover ring aluminium alloy  
 Matt safety glass  
 Optical silicone lens · BEGA Constant Optics®  
 Reflector surface made of pure aluminium  
 Luminaire housing with 2 fixing claws and guide screws  
 Recessed opening  $\varnothing$  202 mm  
 Recessed depth required 125 mm  
 The external connection housing is made of glass fibre reinforced synthetic material (polyamide)  
 220-240 V  $\sim$  0/50-60 Hz  
 2 screw cable glands with strain relief for through-wiring power connecting cable  $\varnothing$  4-10 mm, max. 5 x 1.5<sup>□</sup>  
 Connecting terminals 2.5<sup>□</sup>  
 0,7 m connection cable with plug between the luminaire and the power supply unit  
 BEGA Thermal Control®  
 Temporary thermal regulation to protect temperature-sensitive components without switching off the luminaire  
 Safety class II   
 Protection class IP 65  
 Dust-tight and protection against water jets  
 Impact strength IK08  
 Protection against mechanical impacts < 5 joule  
 – Safety mark  
 – Conformity mark  
 Weight: 2.4 kg

**Lamp**

Module connected wattage 25 W  
 Luminaire connected wattage 28 W  
 Rated temperature  $t_a = 25^\circ\text{C}$   
 Ambient temperature  $t_{a\text{max}} = 30^\circ\text{C}$

**24 265 K3**

Module designation LED-0785/830  
 Colour temperature 3000 K  
 Colour rendering index CRI > 80  
 Module luminous flux 4365 lm  
 Luminaire luminous flux 2588 lm  
 Luminaire luminous efficiency 92,4 lm/W

**24 265 K4**

Module designation LED-0785/840  
 Colour temperature 4000 K  
 Colour rendering index CRI > 80  
 Module luminous flux 4480 lm  
 Luminaire luminous flux 2656 lm  
 Luminaire luminous efficiency 94,9 lm/W

**Service life · Ambient temperature**

Rated temperature  $t_a = 25^\circ\text{C}$   
 LED psu: > 50,000 h  
 LED module: 130,000 h (L 80 B 50)

Ambient temperature  $t_{a\text{max}} = 30^\circ\text{C}$  (100 %)  
 LED psu: 50,000 h  
 LED module: 120,000 h (L 80 B 50)

Ambient temperature  $t_{a\text{max}} = 50^\circ\text{C}$  (62 %)

LED psu: 50,000 h  
 LED module: 50,000 h

BEGA Thermal Control® protects temperature-sensitive luminaire components by temporarily limiting the nominal power at high temperatures.

**Inrush current**

Inrush current: 5 A / 100  $\mu\text{s}$   
 Maximum number of luminaires of this type per miniature circuit breaker:  
 B 10A: 27 luminaires  
 B 16A: 44 luminaires  
 C 10A: 27 luminaires  
 C 16A: 44 luminaires

**Lighting technology**

Half beam angle 67/65°  
 Luminaire data for the light planning program DIALux for outdoor lighting, street lighting and interior lighting as well as luminaire data in EULUMDAT and IES format are available on our website [www.bega.com](http://www.bega.com).

**Article No. 24 265**

LED colour temperature optionally 3000 K or 4000 K  
 3000 K – Article number + **K3**  
 4000 K – Article number + **K4**

Colour optionally graphite or white  
 Graphite – Article number  
 White – Article number + **W**

**Accessories**

**10 443** Installation housing

A separate instructions for use can be provided upon request.

**Light distribution**