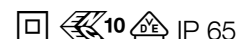


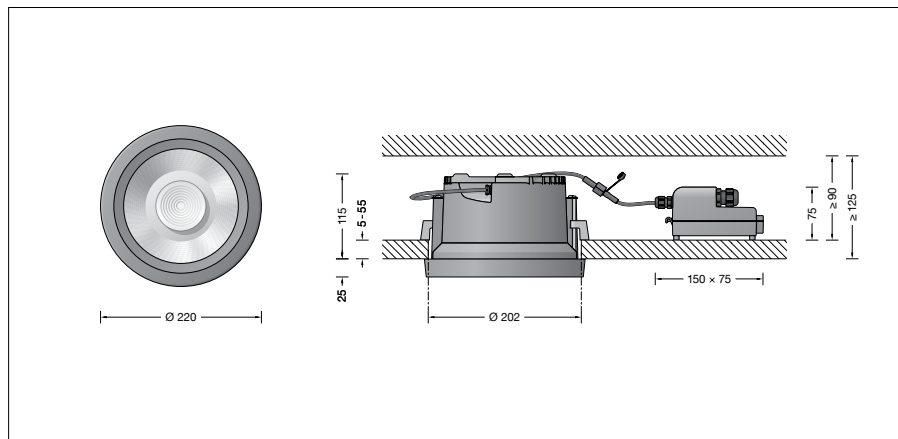
**BEGA****24 256**

Recessed ceiling downlight





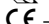
Project · Reference number

Date



## Product data sheet

**Product description**

Luminaire made of aluminium alloy, aluminium and stainless steel  
 BEGA Unidure® coating technology  
 Cover ring aluminium alloy  
 Clear safety glass  
 Optical silicone lens · BEGA Hybrid Optics®  
 Reflector surface made of pure aluminium  
 Luminaire housing with 2 fixing claws and guide screws  
 Recessed opening  $\varnothing$  202 mm  
 Recessed depth required 125 mm  
 The external connection housing is made of glass fibre reinforced synthetic material (polyamide)  
 220-240 V  $\sim$  0/50-60 Hz  
 2 screw cable glands with strain relief for through-wiring power connecting cable  $\varnothing$  4-10 mm, max. 5 x 1.5<sup>□</sup>  
 Connecting terminals 2.5<sup>□</sup>  
 0,7 m connection cable between the luminaire and the power supply unit.  
 BEGA Thermal Control®  
 Temporary thermal regulation to protect temperature-sensitive components without switching off the luminaire  
 Safety class II   
 Protection class IP 65  
 Dust-tight and protection against water jets  
 Impact strength IK09  
 Protection against mechanical impacts < 10 joule  
 – Safety mark  
 – Conformity mark  
 Weight: 2.2 kg

**Application**

LED recessed ceiling downlight with external DALI controllable power supply unit for installation into concrete ceilings or suspended ceilings both indoors and out.  
 With symmetrical wide beam light distribution.

**Lamp**

Module connected wattage	17.2 W
Luminaire connected wattage	19.4 W
Rated temperature	$t_a = 25 \text{ }^\circ\text{C}$
Ambient temperature	$t_{a \text{ max}} = 40 \text{ }^\circ\text{C}$
When installed in heat-insulating material	$t_{a \text{ max}} = 25 \text{ }^\circ\text{C}$

On request we can offer you modifications for environments with higher temperatures as a customized product.

**24 256 K3**

Module designation	LED-0785/830
Colour temperature	3000 K
Colour rendering index	CRI > 80
Module luminous flux	3100 lm
Luminaire luminous flux	2183 lm
Luminaire luminous efficiency	112,5 lm/W

**24 256 K4**

Module designation	LED-0785/840
Colour temperature	4000 K
Colour rendering index	CRI > 80
Module luminous flux	3180 lm
Luminaire luminous flux	2239 lm
Luminaire luminous efficiency	115,4 lm/W

**Service life · Ambient temperature**

Rated temperature $t_a = 25 \text{ }^\circ\text{C}$	
LED psu:	> 50,000h
LED module:	> 200,000h (L80B50)

Ambient temperature $t_{a \text{ max}} = 40 \text{ }^\circ\text{C}$ (100 %)	
LED psu:	50,000h
LED module:	170,000h (L80B50)

**Inrush current**

Inrush current: 12 A / 24.2  $\mu\text{s}$   
 Maximum number of luminaires of this type per miniature circuit breaker:  
 B 10A: 50 luminaires  
 B 16A: 50 luminaires  
 C 10A: 50 luminaires  
 C 16A: 50 luminaires

**Article No. 24 256**

LED colour temperature optionally 3000 K or 4000 K

3000 K – Article number + **K3**

4000 K – Article number + **K4**

Colour optionally graphite or white

Graphite – Article number

White – Article number + **W**

**Accessories**

**10 443** Installation housing

A separate instructions for use can be provided upon request.

**Light distribution**