

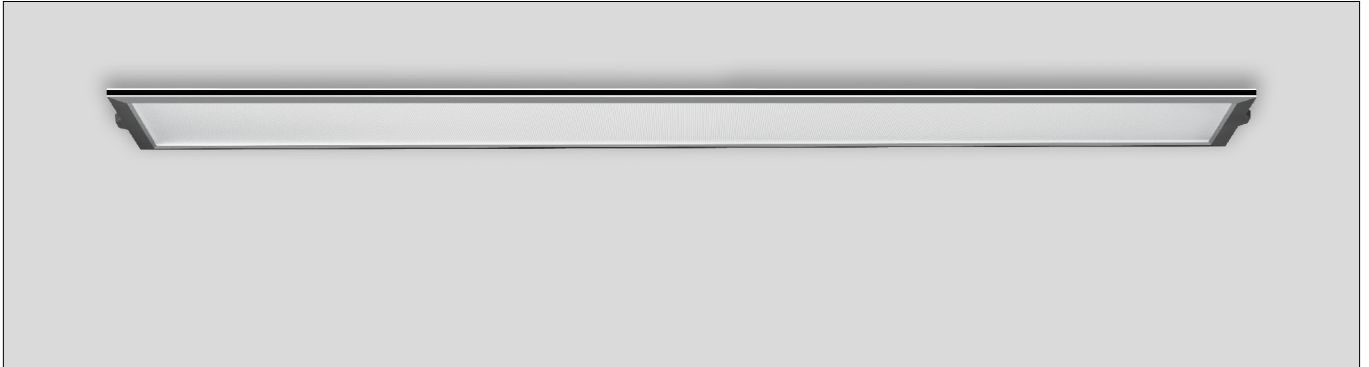
BEGA**12 292.2**

Large-area ceiling luminaire for indoor use



Project · Reference number

Date



Product data sheet

Application

LED large-area ceiling luminaire · indoor luminaire with optical system aluminium housing, for glare-free lighting in the workplace.

Product description

Luminaire housing made of matt aluminium with all-round, matt black trim strip
Optical system as a layered structure of micro-structured and light-directing reflection levels
Glare suppression according to DIN EN 12464-1
2 cable entries for through-wiring for mains cable up to \varnothing 11 mm max. $5 \times 1.5^{\square}$
Connection terminal 2.5^{\square}

Earth conductor connection
2-pole connecting terminal for digital control

LED power supply unit
220-240 V \sim 0/50-60 Hz
DALI controllable

A basic isolation exists between power cable and control line

Safety class I

– Safety mark

– Conformity mark

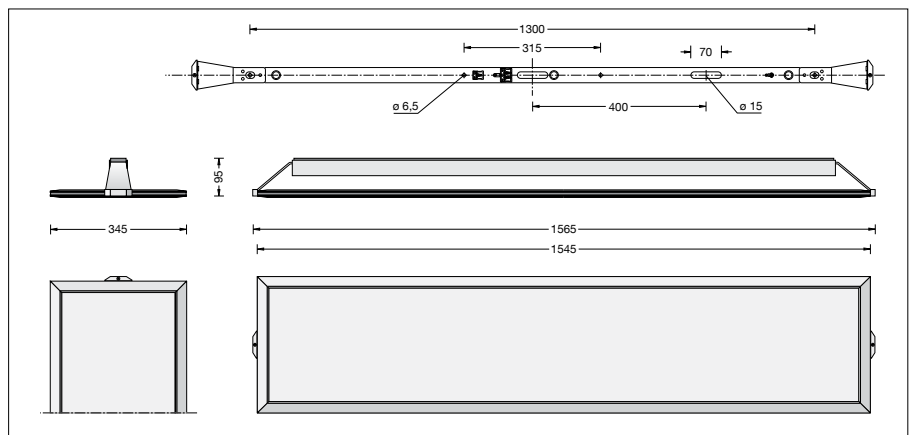
Weight: 11.0 kg

Inrush current

Inrush current: 53 A / 400 μ s

Maximum number of luminaires of this type per miniature circuit breaker:

B10A: 8 luminaires
B16A: 13 luminaires
C10A: 8 luminaires
C16A: 13 luminaires



Lamp

Module connected wattage	52.6 W
Luminaire connected wattage	60 W
Rated temperature	$t_a = 25^{\circ}\text{C}$
Ambient temperature	$t_{a \text{ max}} = 55^{\circ}\text{C}$

12 292.2 K3

Module designation	LED-0618/930 + LED-0619/930
Colour temperature	3000 K
Colour rendering index	CRI > 90
Module luminous flux	8040 lm
Luminaire luminous flux	5962 lm
Luminaire luminous efficiency	99,4 lm/W

12 292.2 K4

Module designation	LED-0618/940 + LED-0619/940
Colour temperature	4000 K
Colour rendering index	CRI > 90
Module luminous flux	8640 lm
Luminaire luminous flux	6406 lm
Luminaire luminous efficiency	106,8 lm/W

Service life of the LED

Ambient temperature $t_a = 25^{\circ}\text{C}$	– at 220,000h: L70B50
max. ambient temperature $t_a = 55^{\circ}\text{C}$	– at 170,000h: L70B50

Light technique

Luminaire data for the light planning program DIALux for outdoor lighting, street lighting and indoor lighting as well as luminaire data in EULUMDAT- and IES-format you will find on the BEGA web page www.bega.com.

Article No. 12 292.2

LED colour temperature optionally 3000 K or 4000 K
3000 K – Article number + **K3**
4000 K – Article number + **K4**