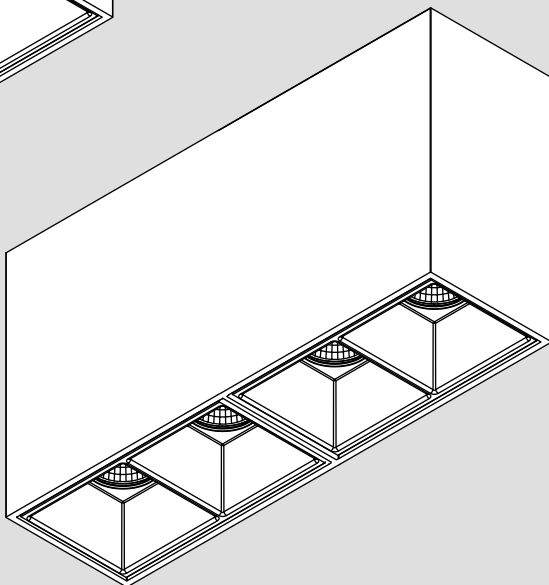
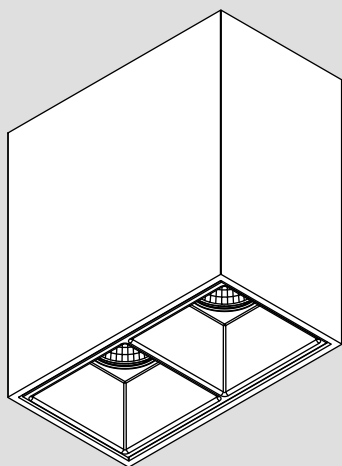


SHARP SMD 2x 4x ND

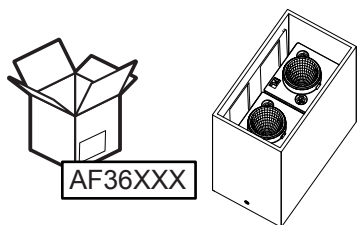
Design by
Carlotta de Bevilacqua



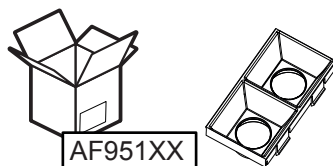


i

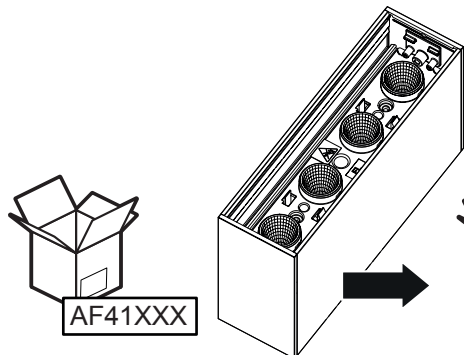
	IP20																							
		<table border="1"><thead><tr><th></th><th colspan="3">LED 1 from Dthr (m)</th></tr><tr><th></th><th>2700 K</th><th>3000 K</th><th>4000 K</th></tr></thead><tbody><tr><td>F</td><td>0,55</td><td>0,55</td><td>0,80</td></tr><tr><td>S</td><td>0,45</td><td>0,45</td><td>0,70</td></tr><tr><td>XF</td><td>0,35</td><td>0,35</td><td>0,50</td></tr></tbody></table>				LED 1 from Dthr (m)				2700 K	3000 K	4000 K	F	0,55	0,55	0,80	S	0,45	0,45	0,70	XF	0,35	0,35	0,50
	LED 1 from Dthr (m)																							
	2700 K	3000 K	4000 K																					
F	0,55	0,55	0,80																					
S	0,45	0,45	0,70																					
XF	0,35	0,35	0,50																					



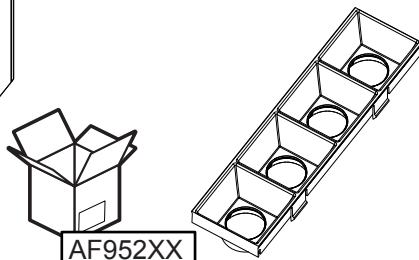
AF36XXX



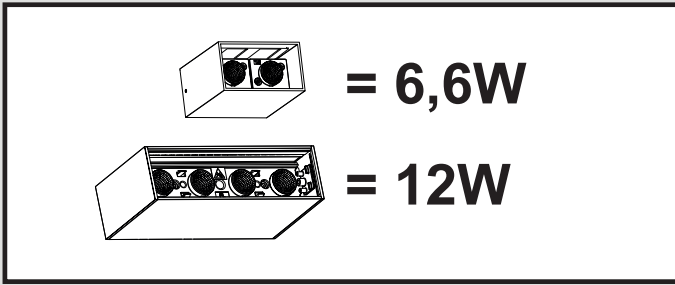
AF951XX



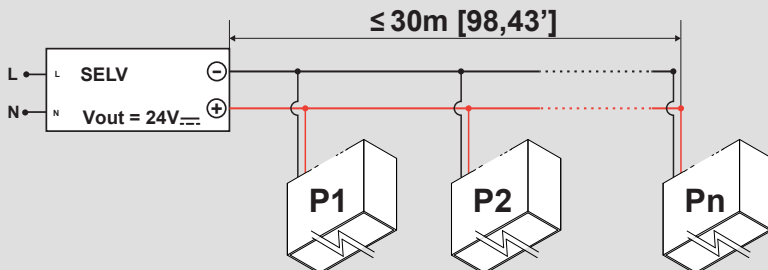
AF41XXX



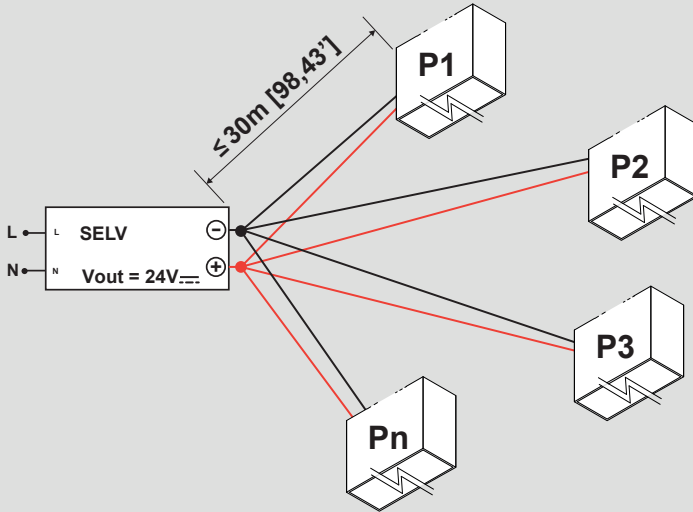
AF952XX

i

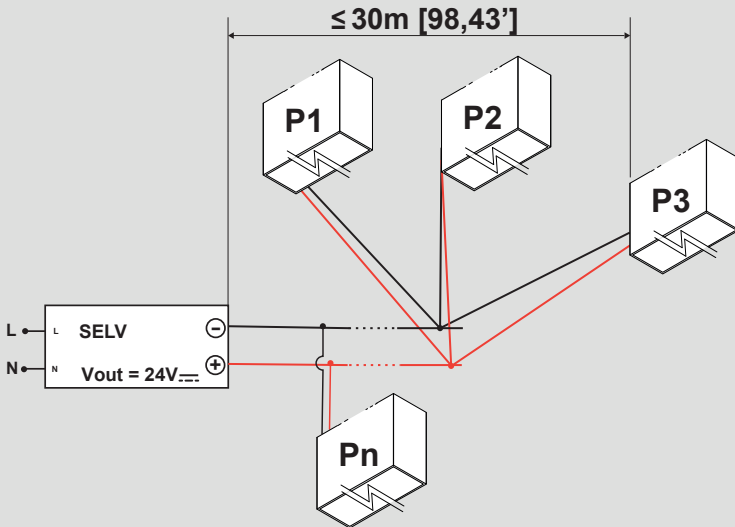
	P[W]	P _{max} [W]
DV1032	30	25
DV1009	75	60
DV1033	120	100

i**A**

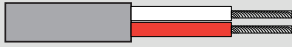
$$P1 + P2 + \dots + Pn \leq P_{max}$$

i**B**

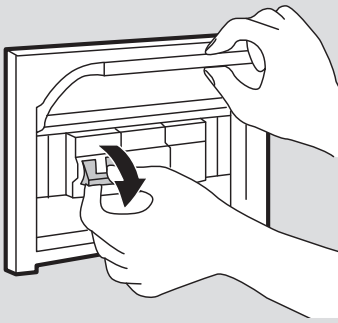
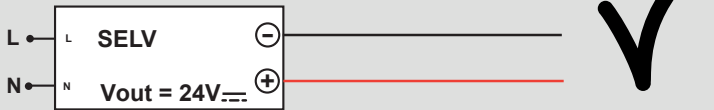
$$P1+P2+P3+\dots+Pn \leq P_{\text{max}}$$

i**A+B**

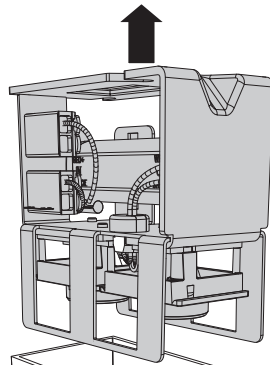
$$P1+P2+P3+\dots+Pn \leq P_{\text{max}}$$



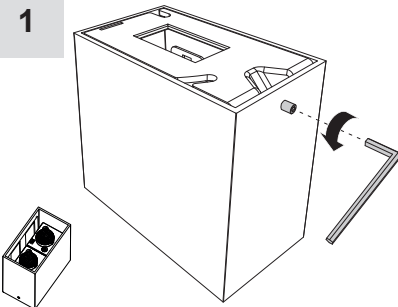
∅ Min 1.5 mm²

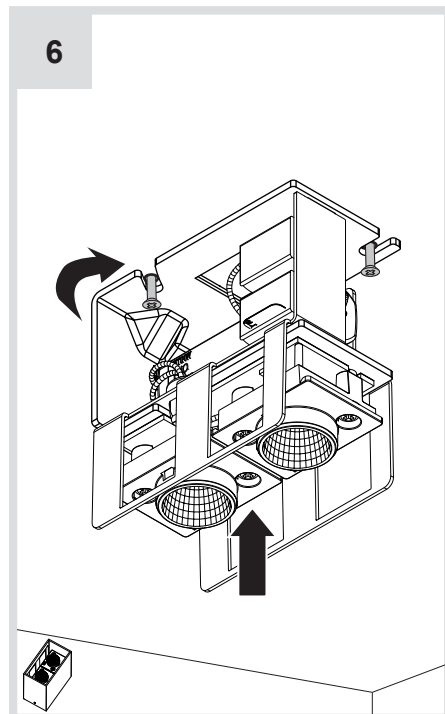
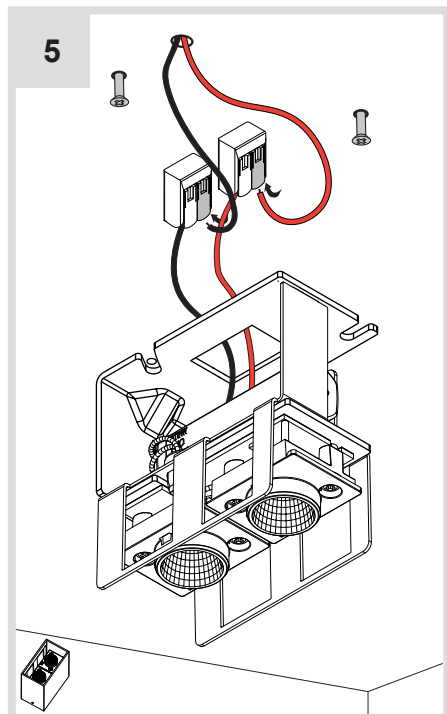
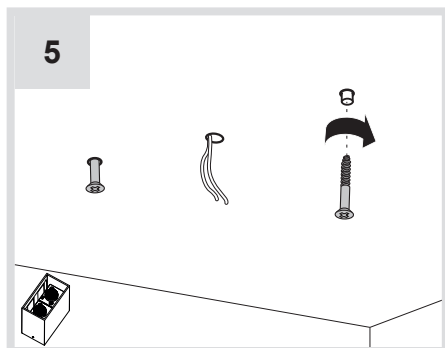
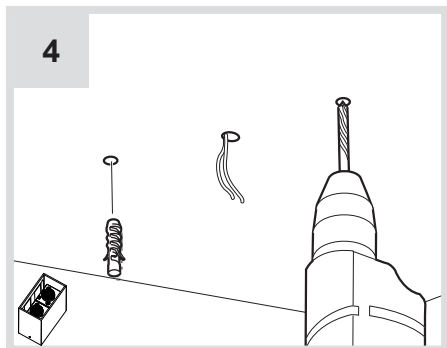
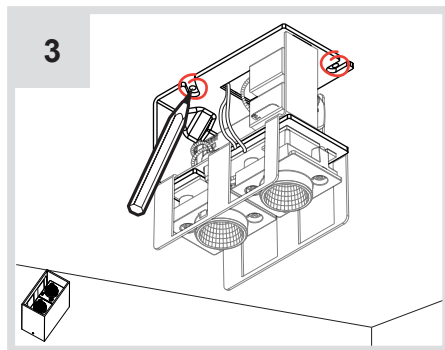
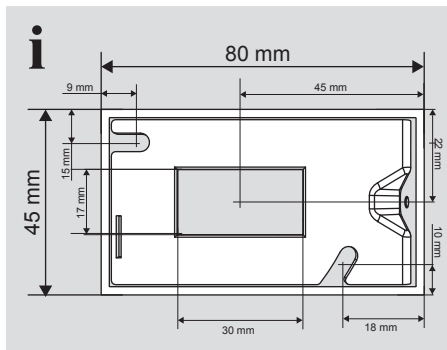


2

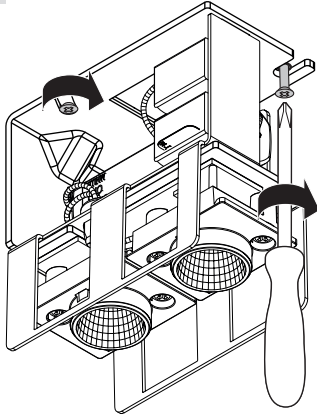


1

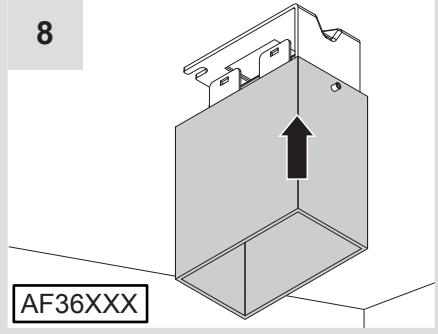




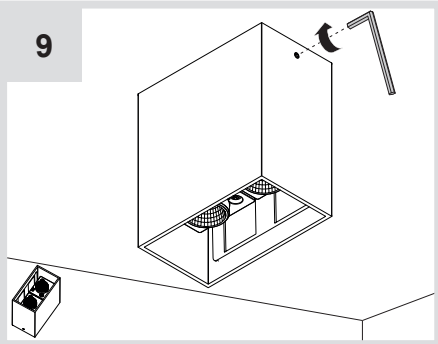
7



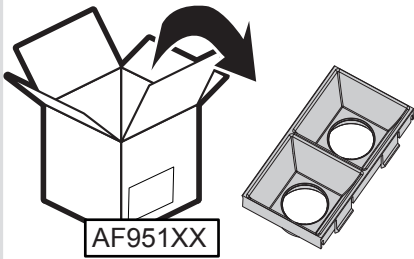
8



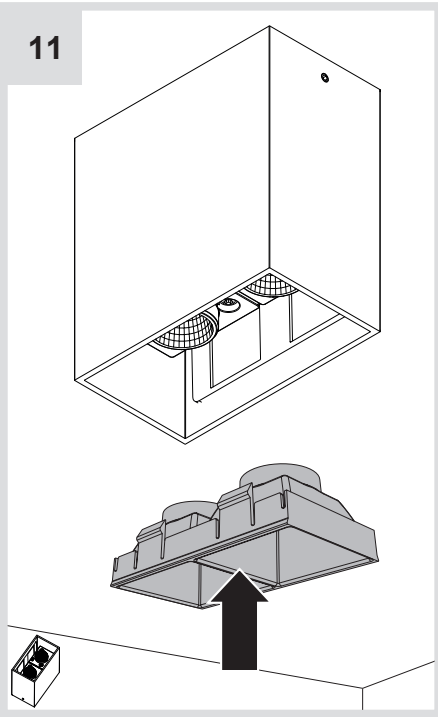
9

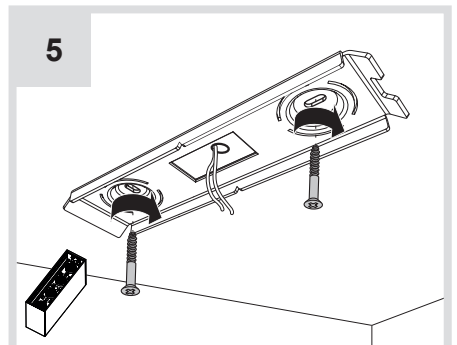
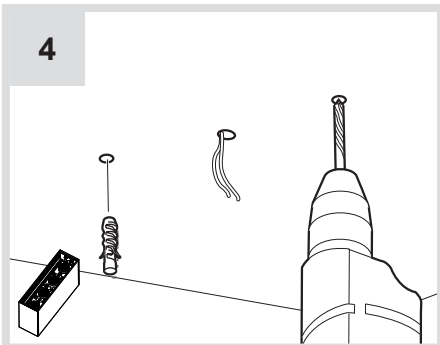
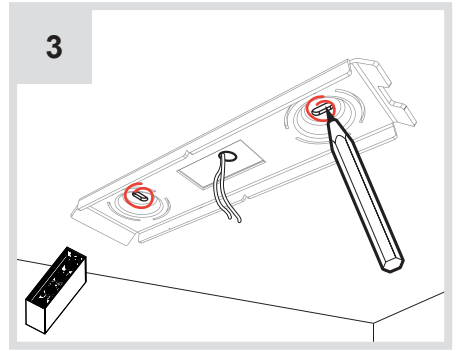
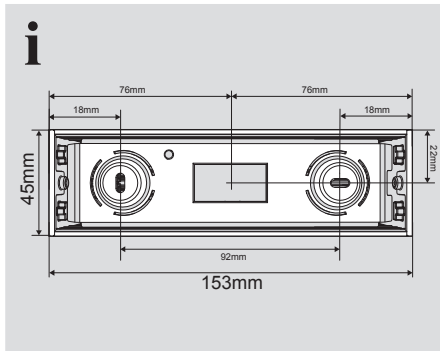
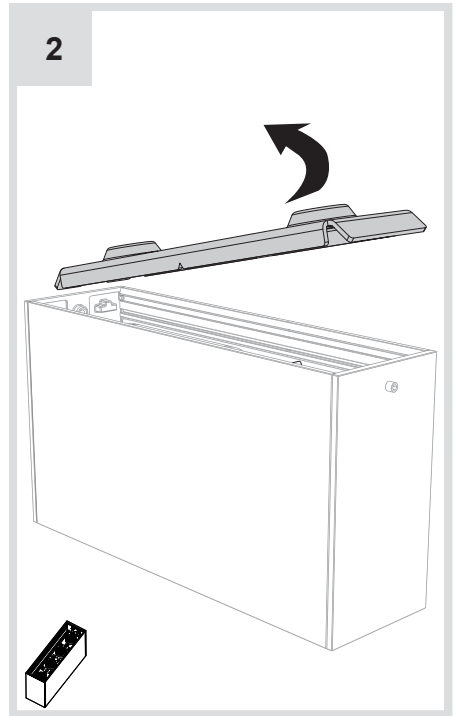
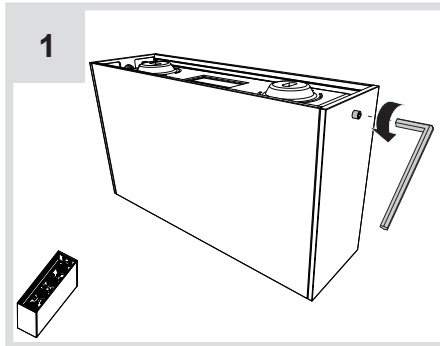
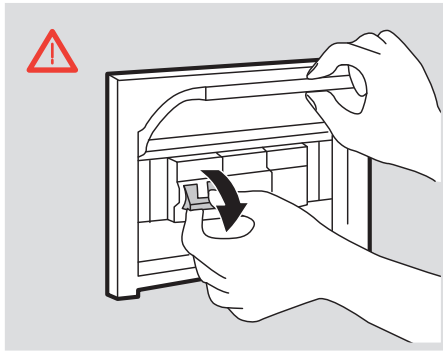


10

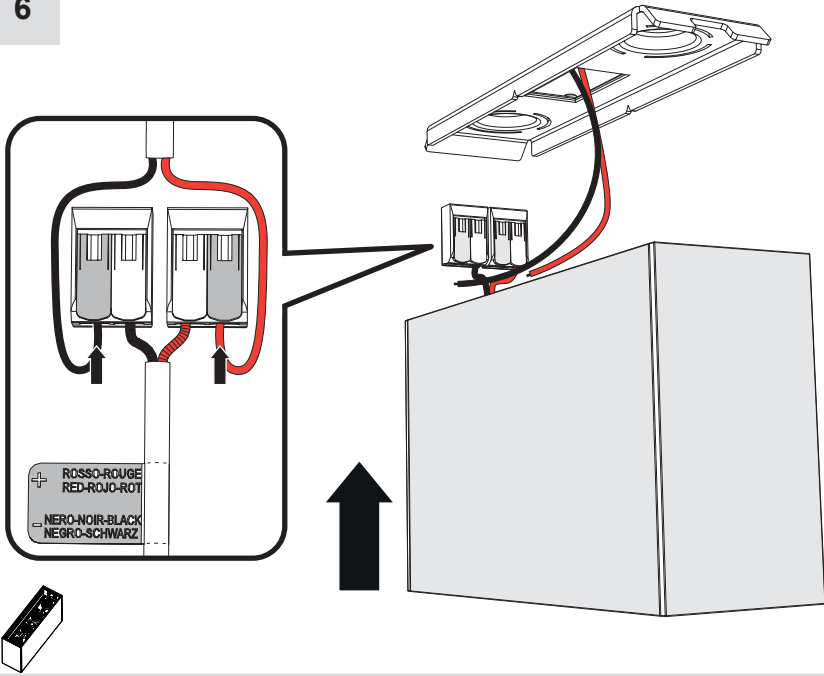


11

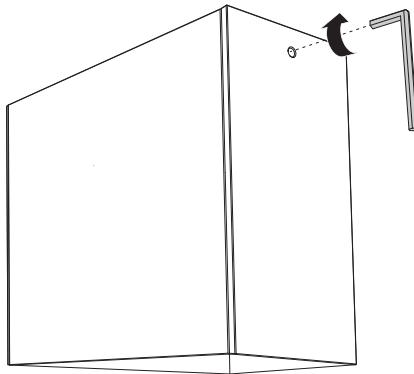


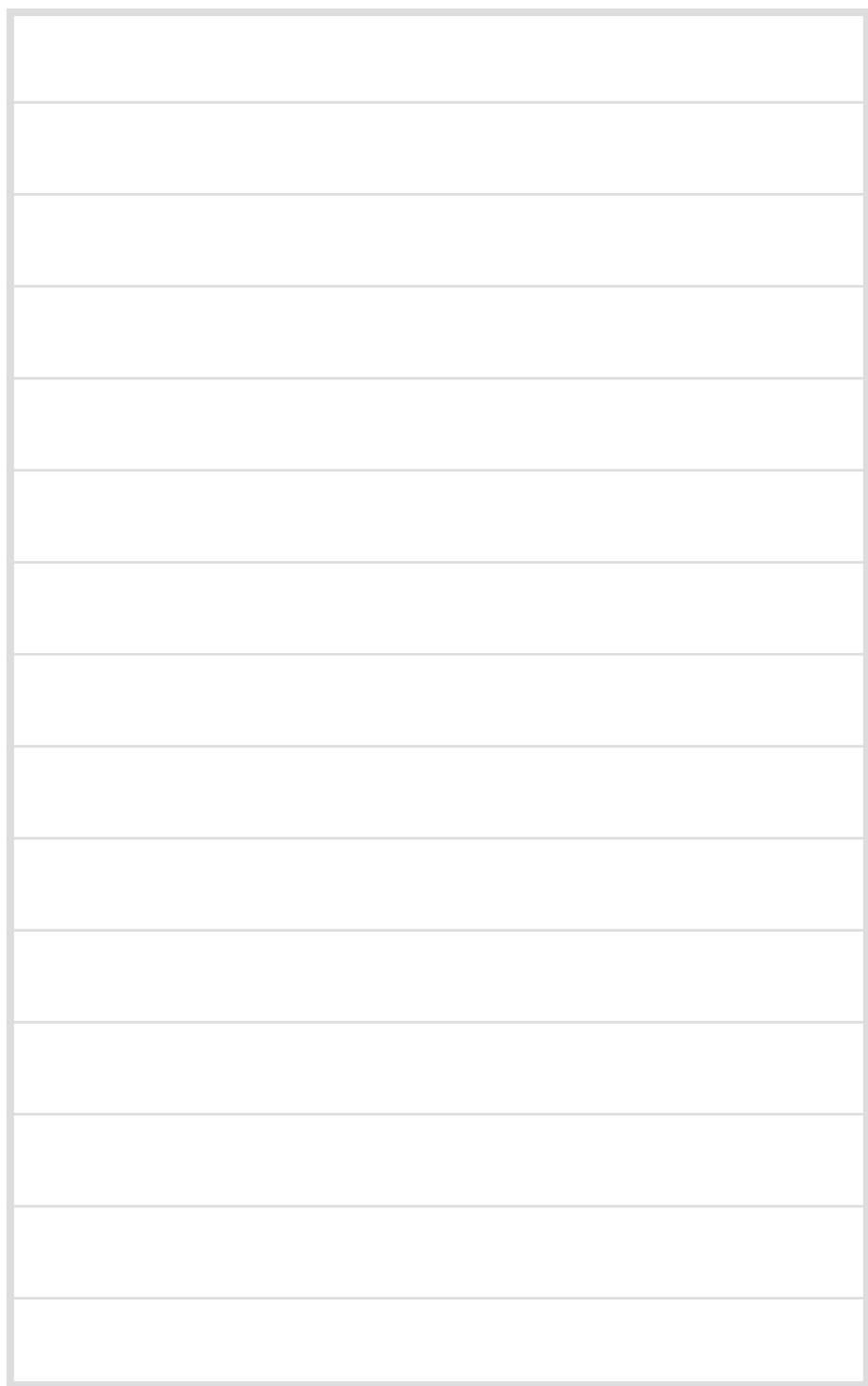


6



7





Artemide[®]
ARCHITECTURAL



Artemide Spa

via Bergamo, 18
20010 Pregnana M.se (MI)
ITALIA

Tel. +39 02 935 181
Fax +39 02 935 90 254
Fax +39 02 935 90 496

www.artemide.com

VAT IT00846890150

cod. Y513001053