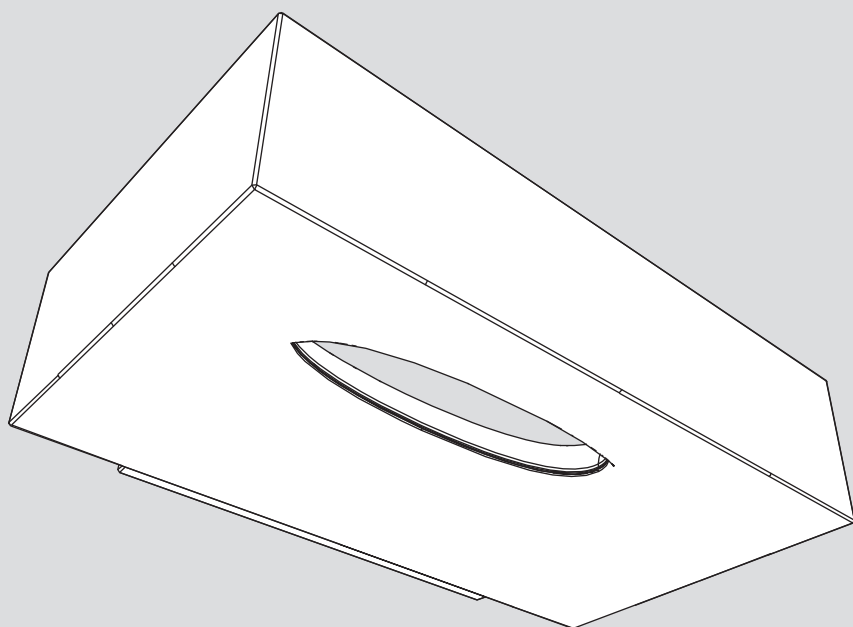


# Artemide®

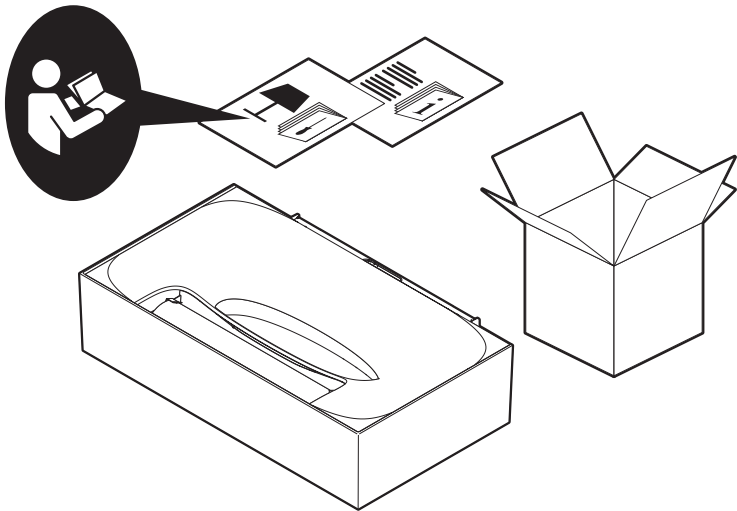
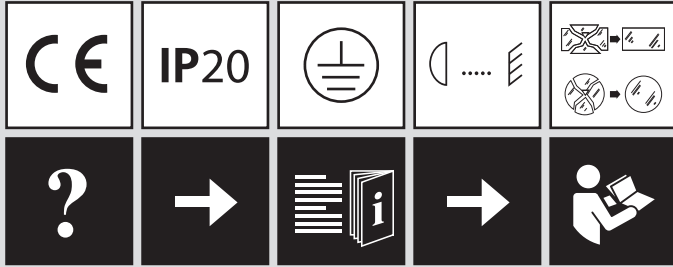
## Melete

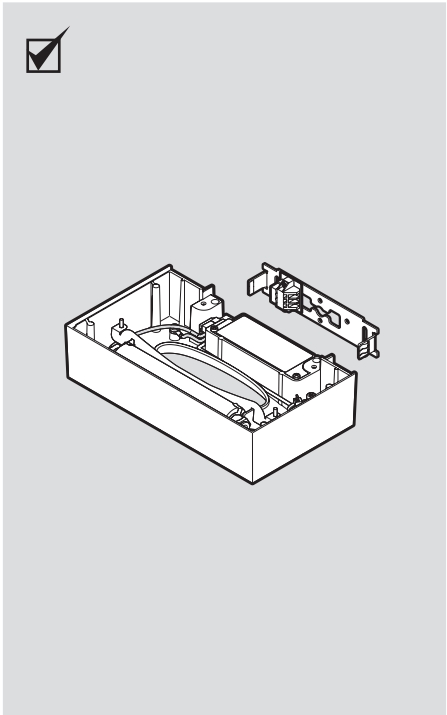
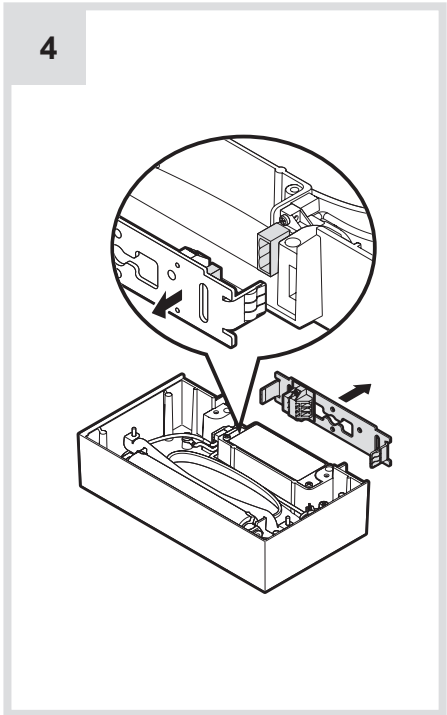
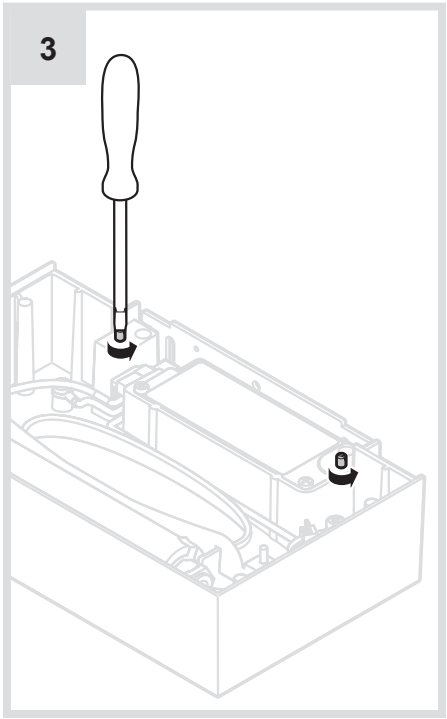
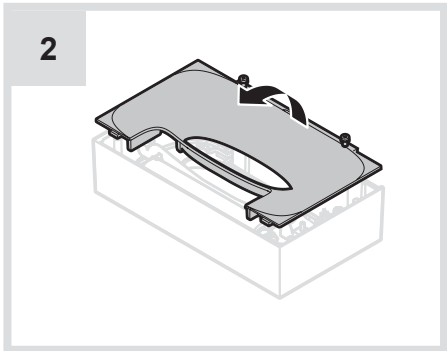
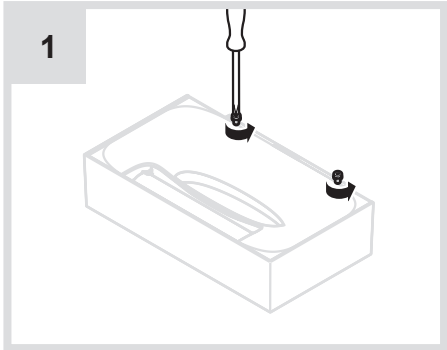
design  
Pio & Tito Toso

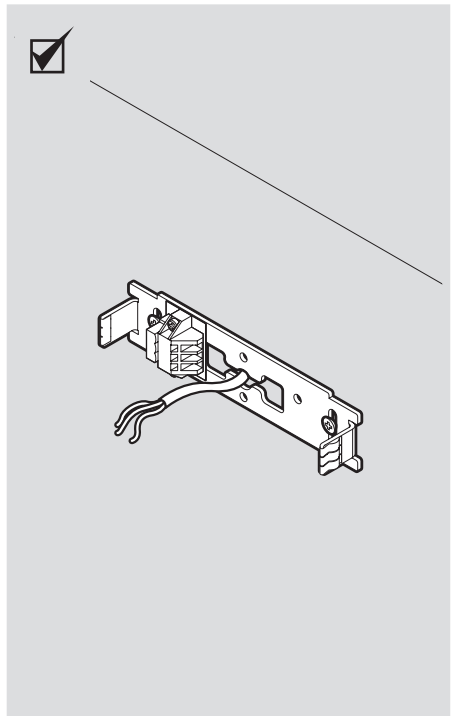
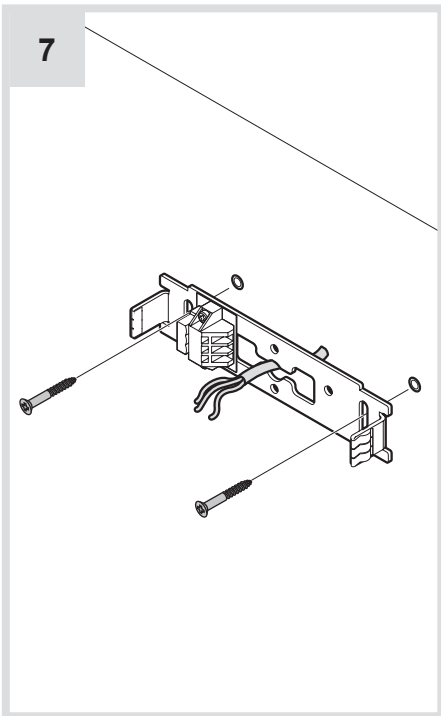
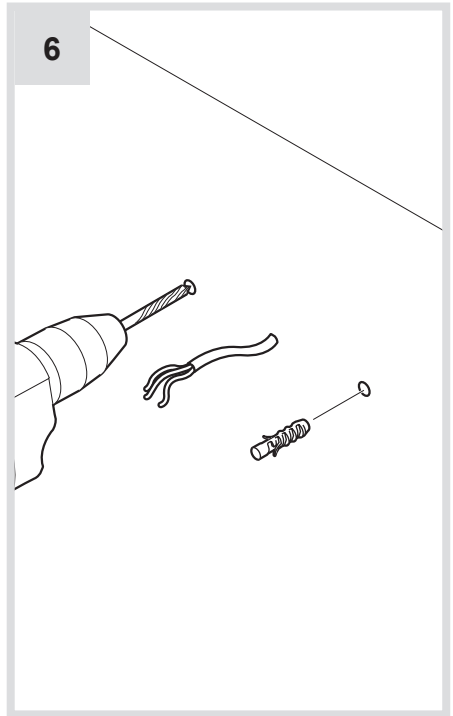
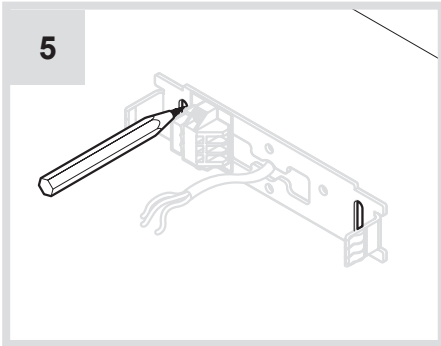
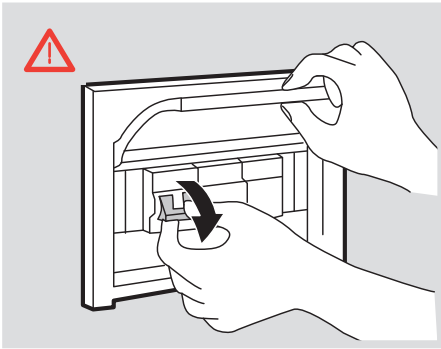




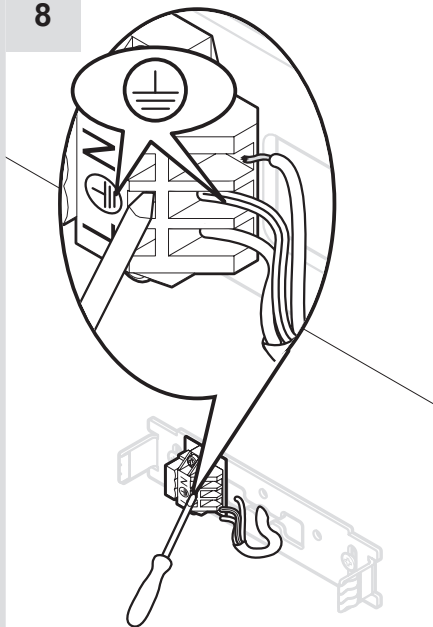
i



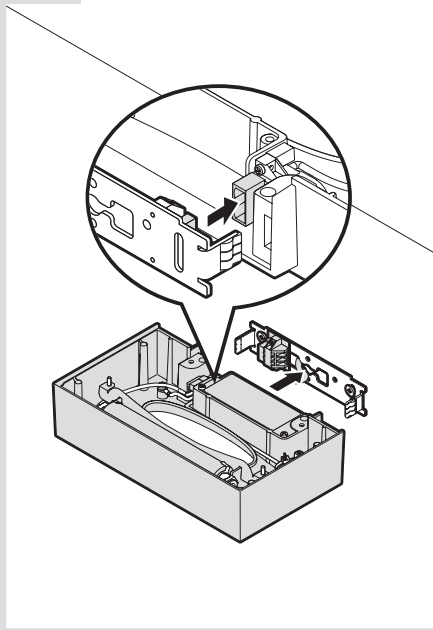




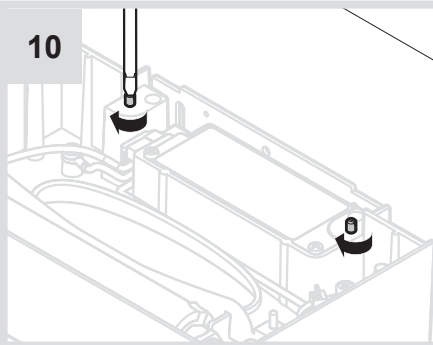
8



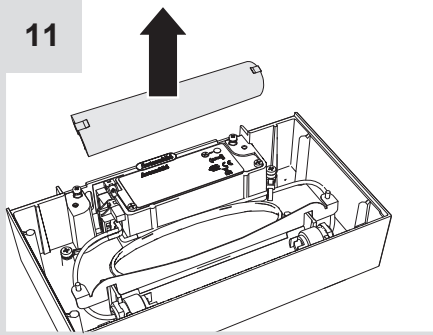
9



10

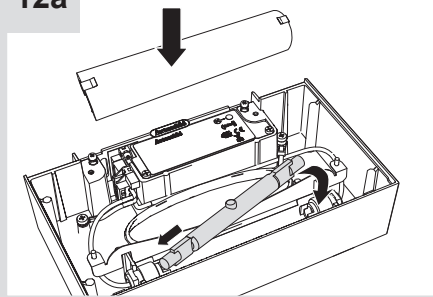


11



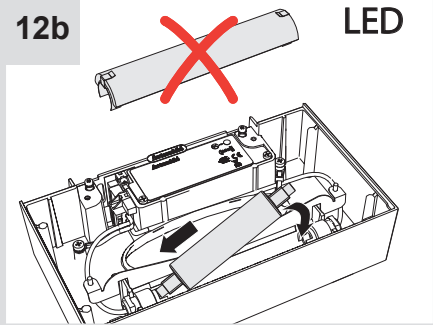
12a

Halo

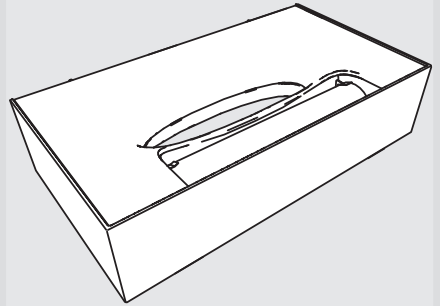
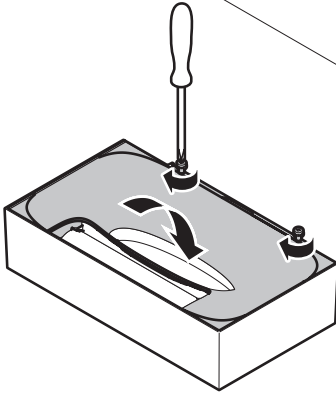


12b

LED



13



i

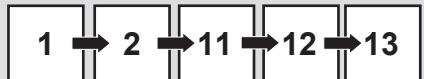
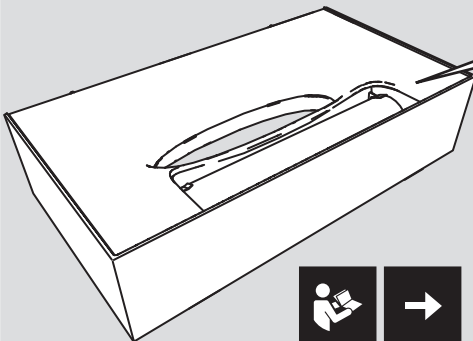
Halo max 10mm      LED max 22mm

118mm

**MAX 160W - R7s**

Halo: HDG - 3100 lm

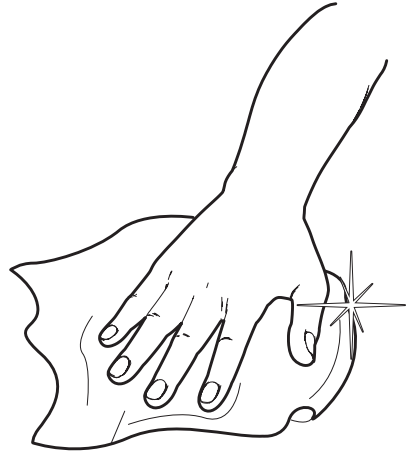
LED: DRDG - 1200 lm



i



1



**Artemide®**



**Artemide**

via Bergamo, 18  
20010 Pregnana M.se (MI)  
ITALIA

tel. +39 02 935 181  
fax +39 02 935 90 254  
fax +39 02 935 90 496

[www.artemide.com](http://www.artemide.com)

VAT IT00846890150

cod. Y513000519