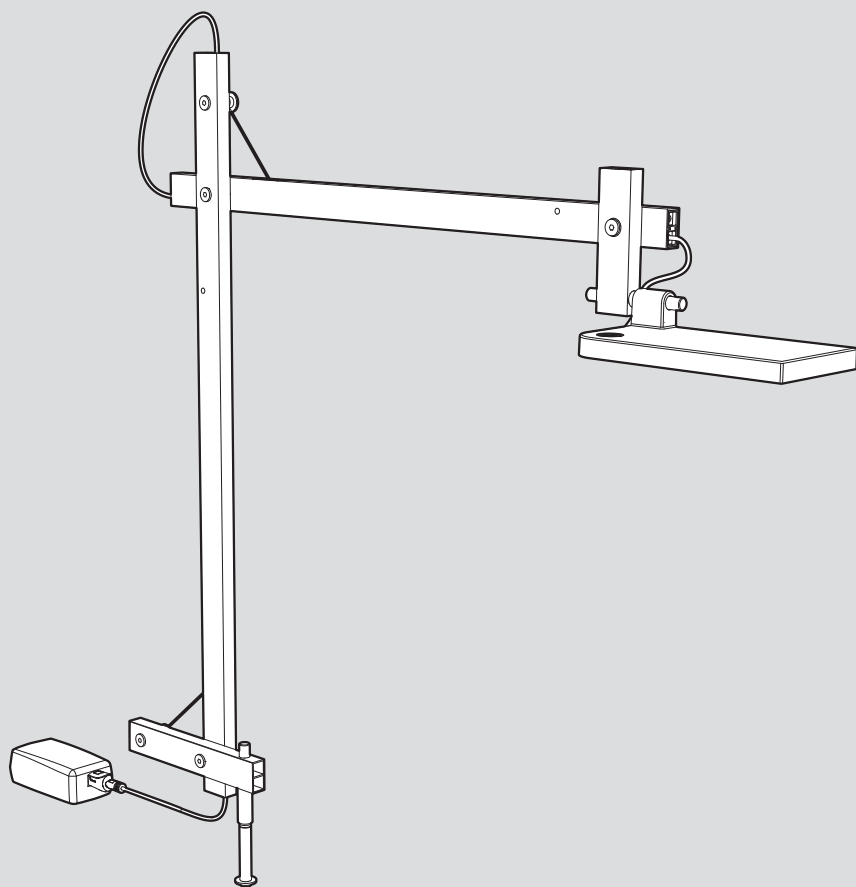


Artemide®

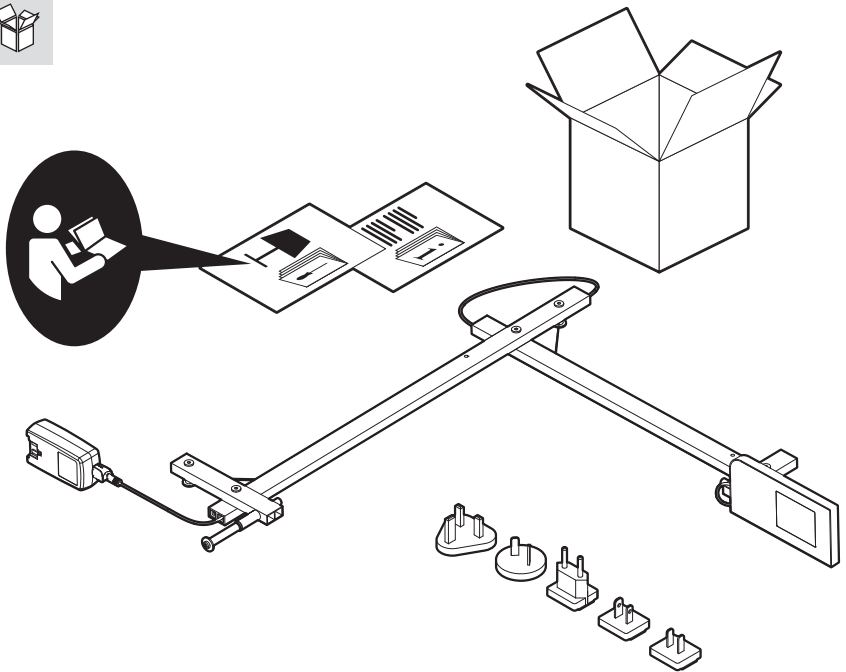
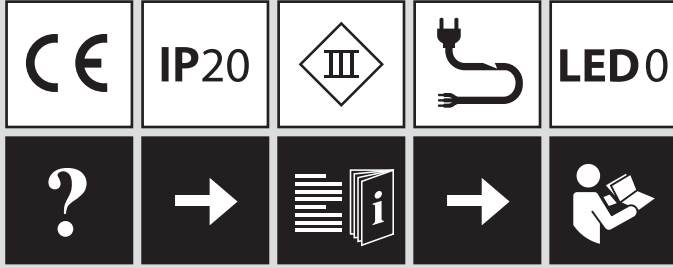
Lotek

design
Javier Mariscal

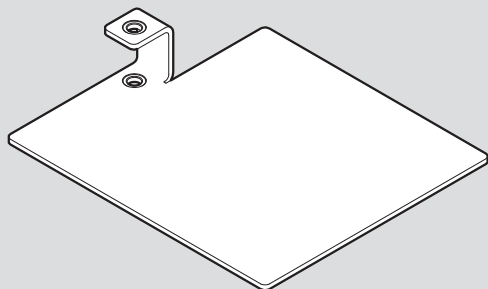




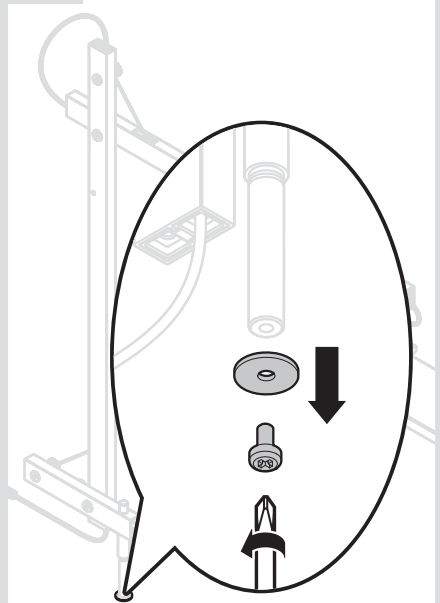
i



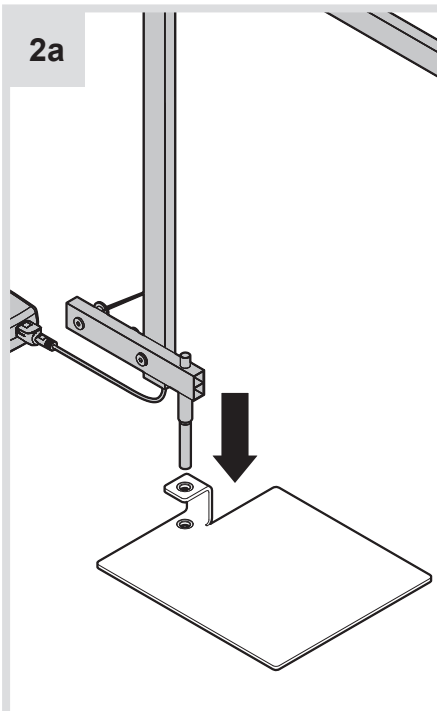
i



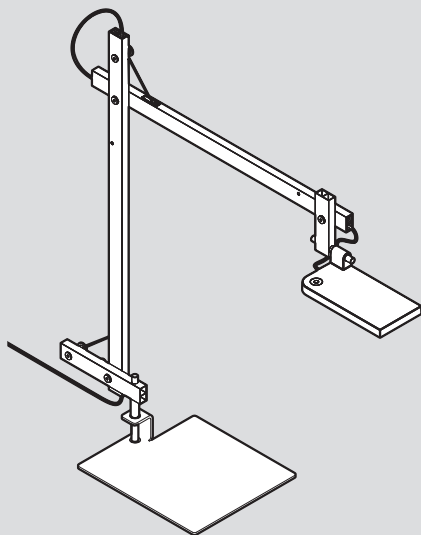
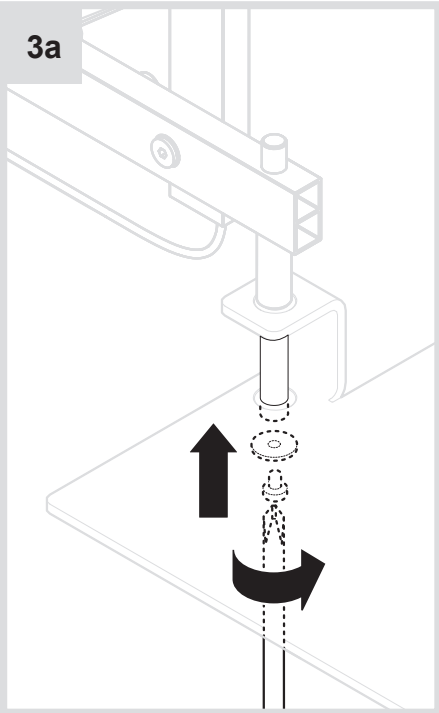
1a



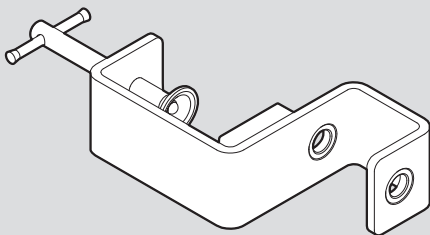
2a



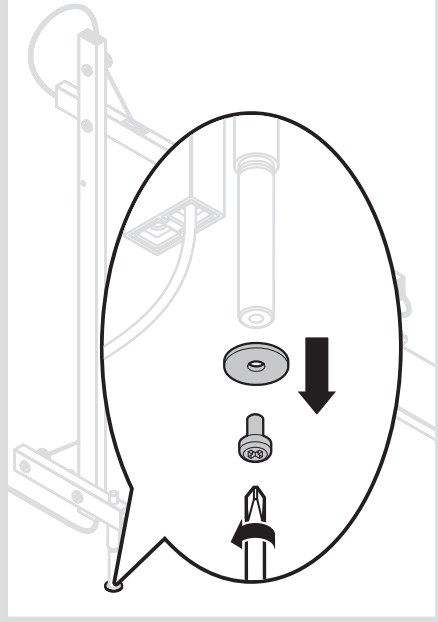
3a



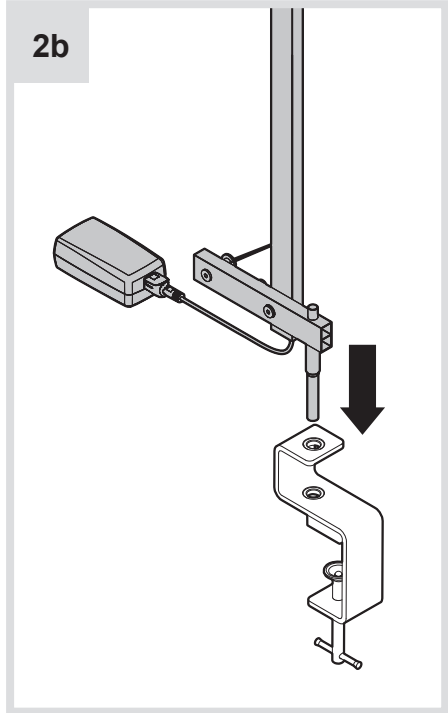
i



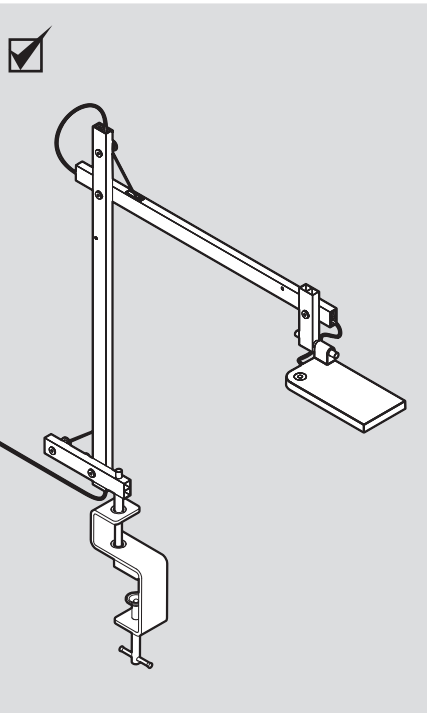
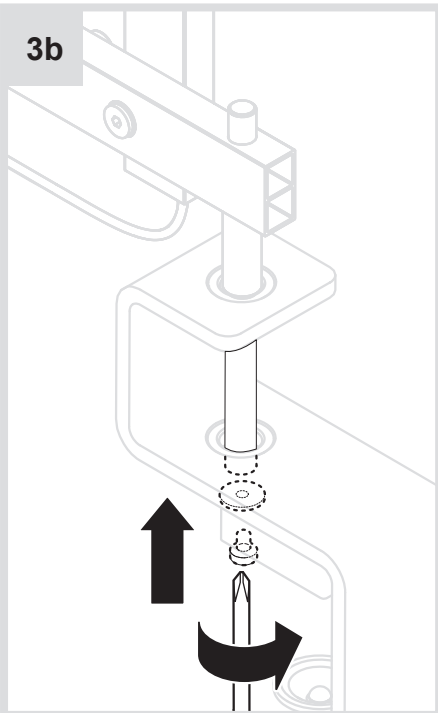
1b



2b

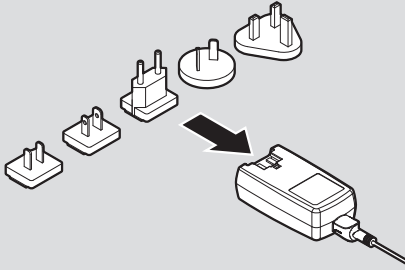


3b

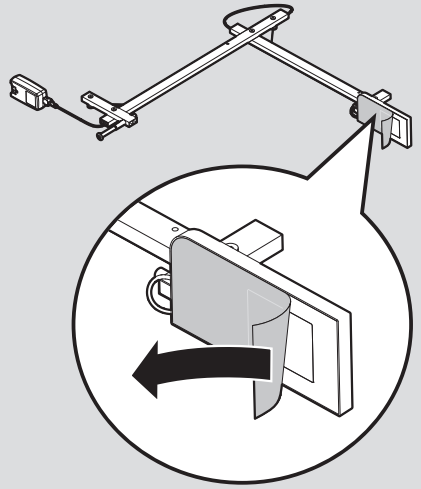




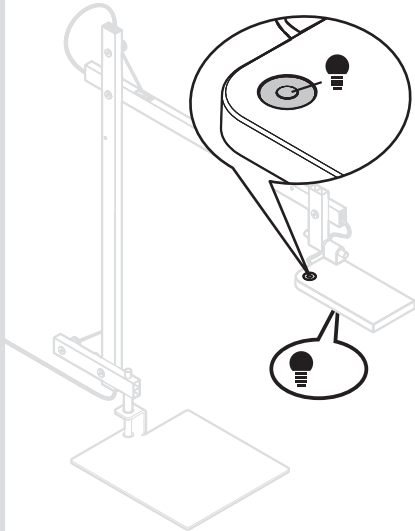
i



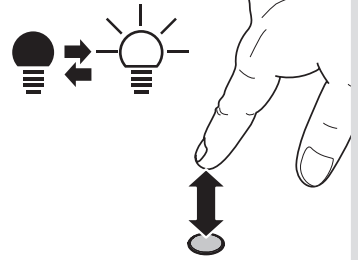
i



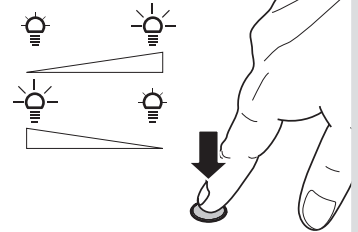
1



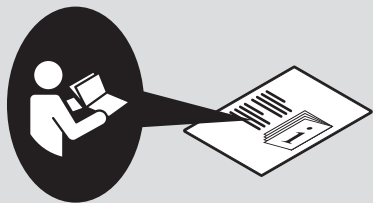
2



3



i



1



Artemide®



Artemide

via Bergamo, 18
20010 Pregnana M.se (MI)
ITALIA

tel. +39 02 935 181
fax +39 02 935 90 254
fax +39 02 935 90 496

www.artemide.com

VAT IT00846890150

cod. Y513000066