

Artemide®

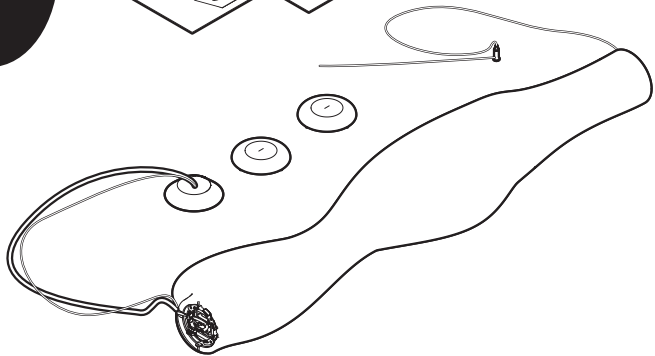
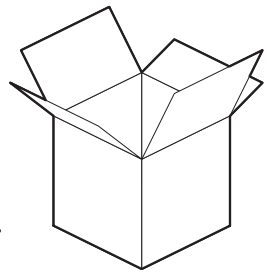
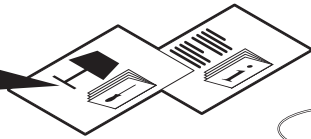
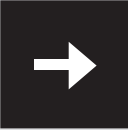
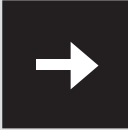
Empirico

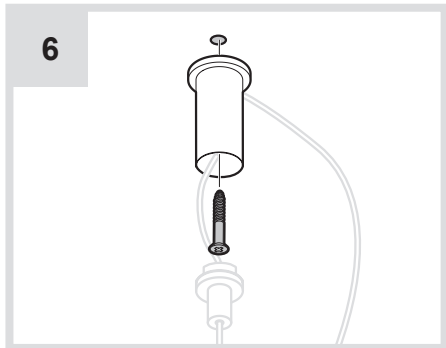
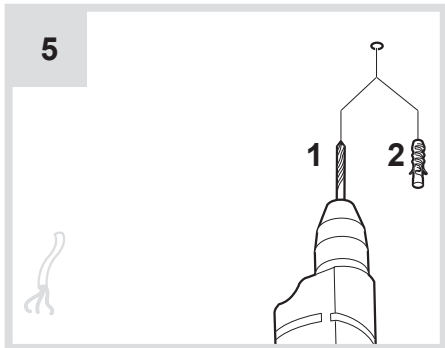
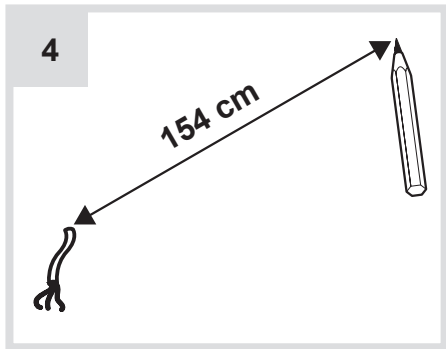
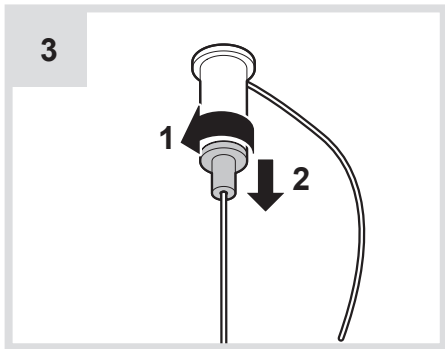
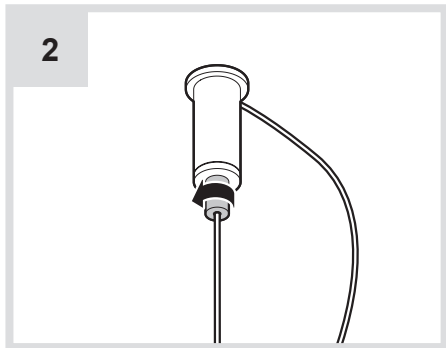
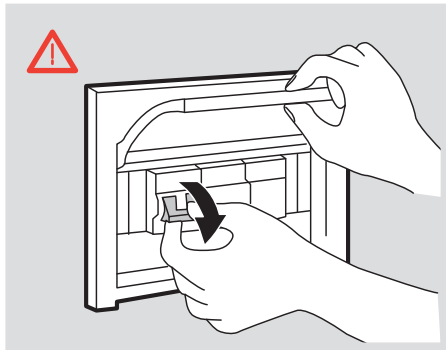
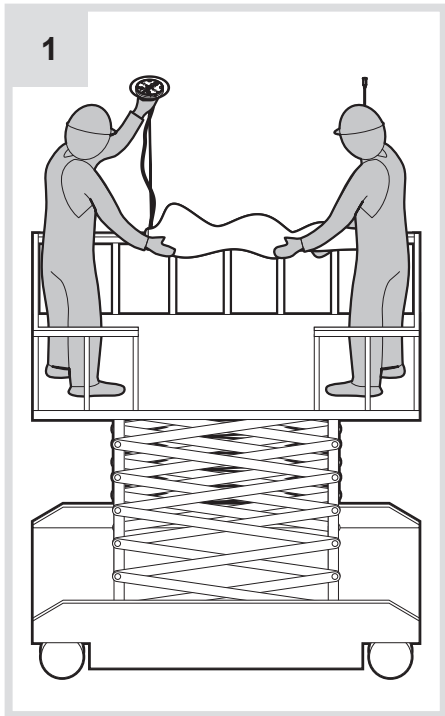
design
Karim Rashid

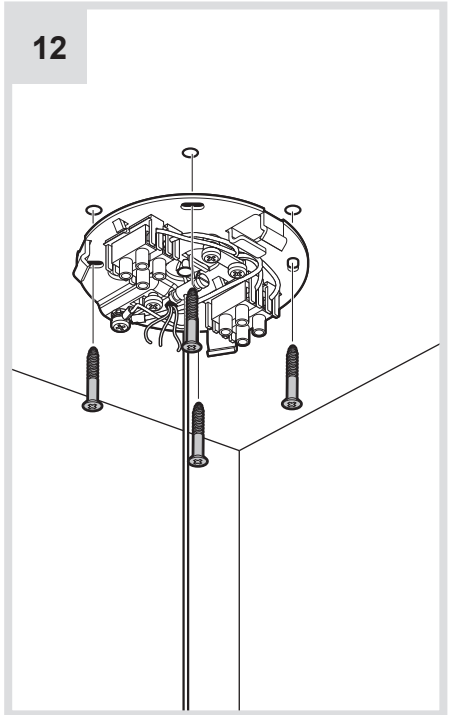
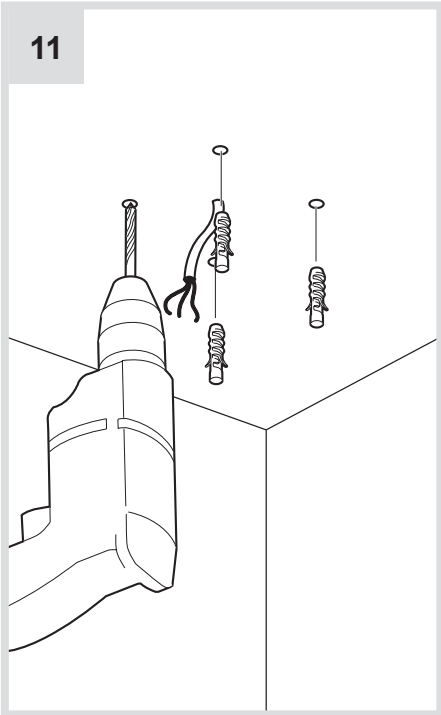
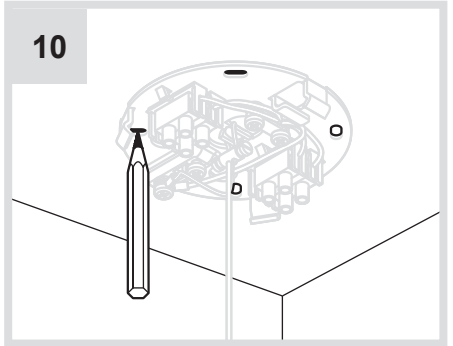
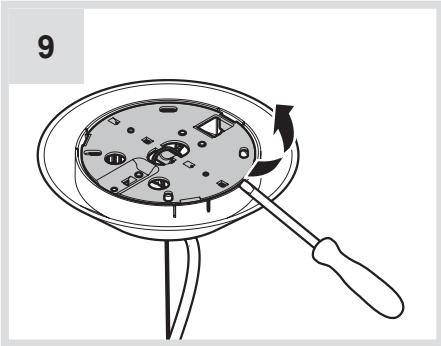
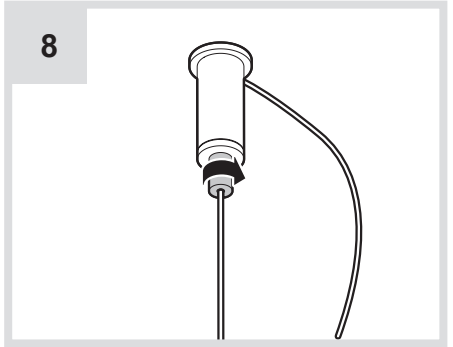
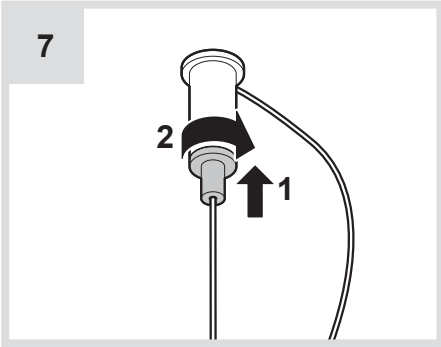




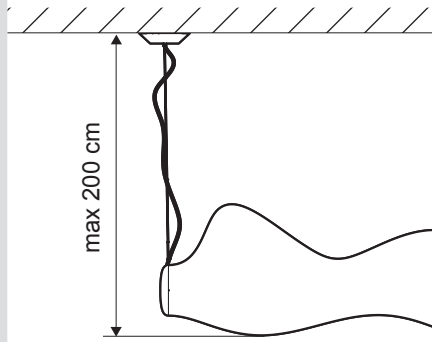
i



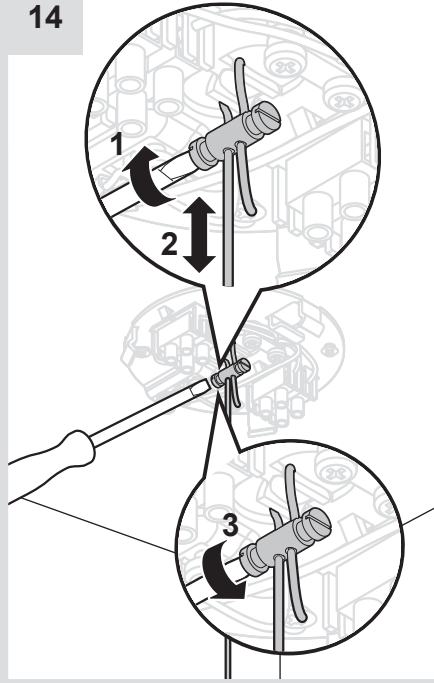




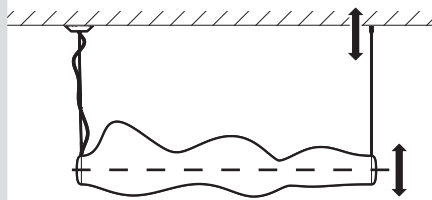
13



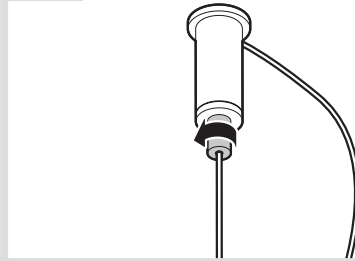
14



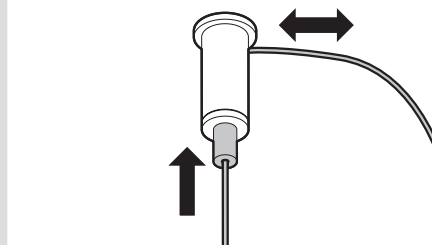
15



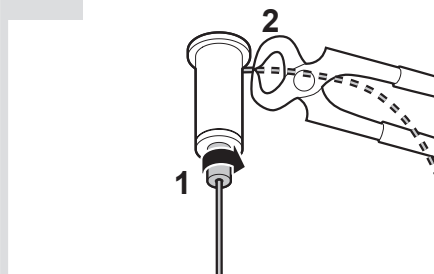
16

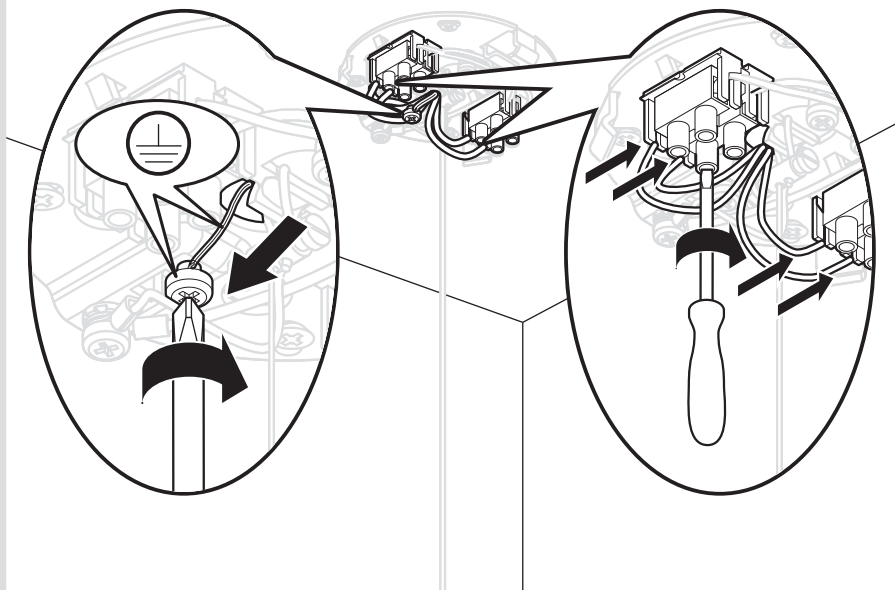


17

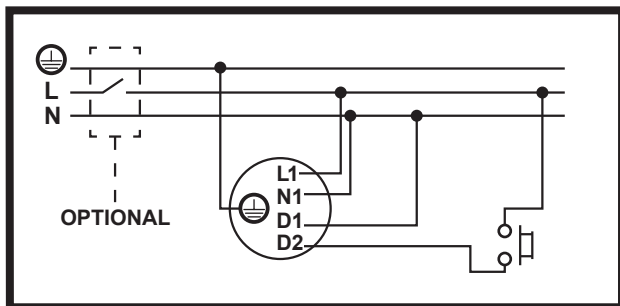


18

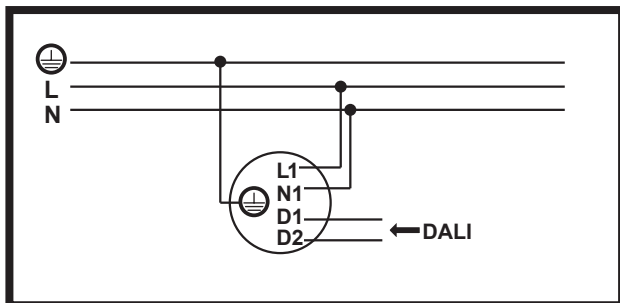




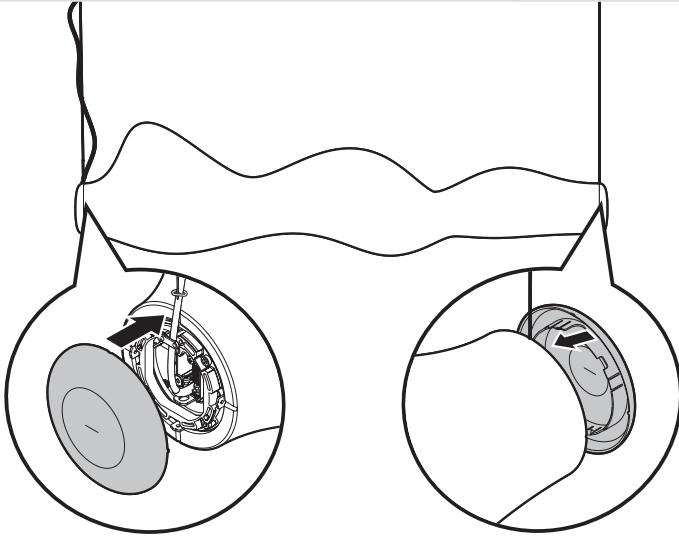
SWITCH DIM →



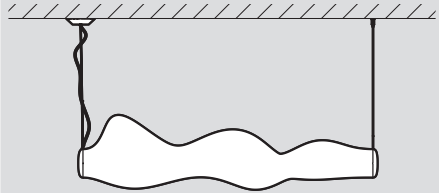
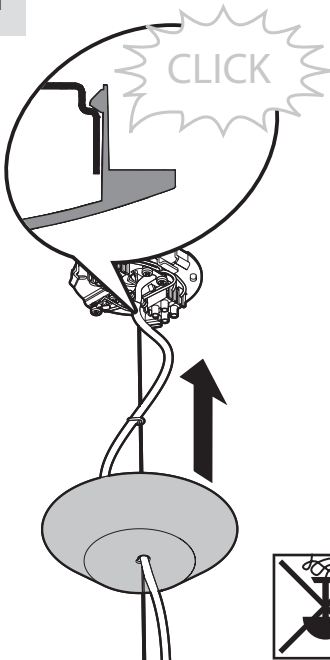
DALI →



20



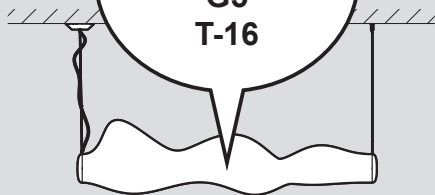
21



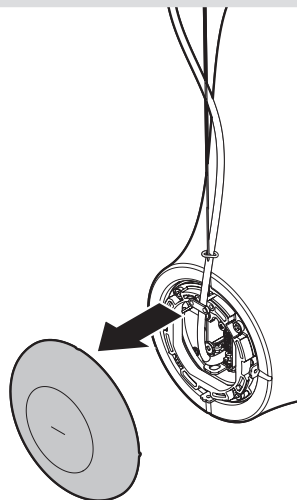


i

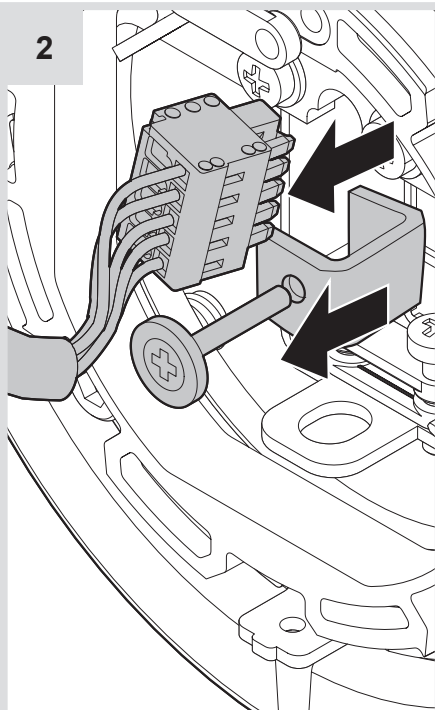
**FLUO
2x 35W
G5
T-16**



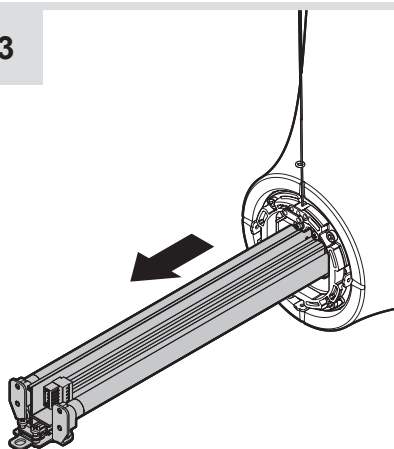
1



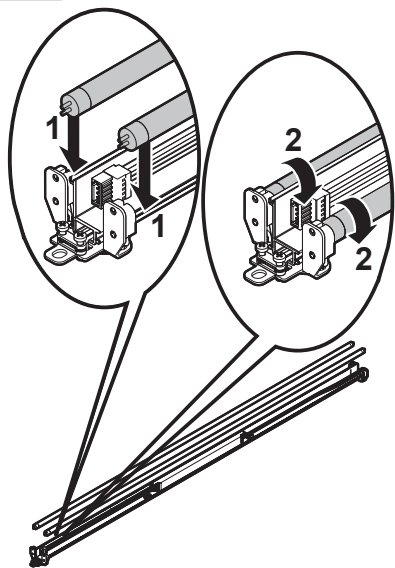
2



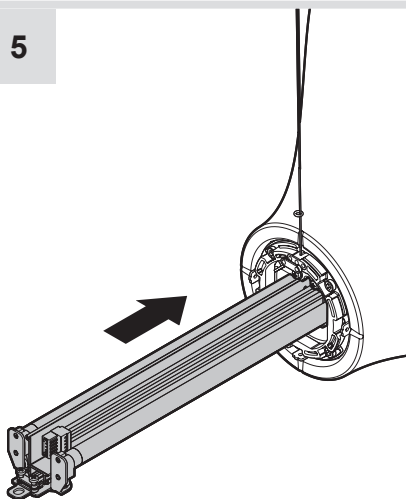
3



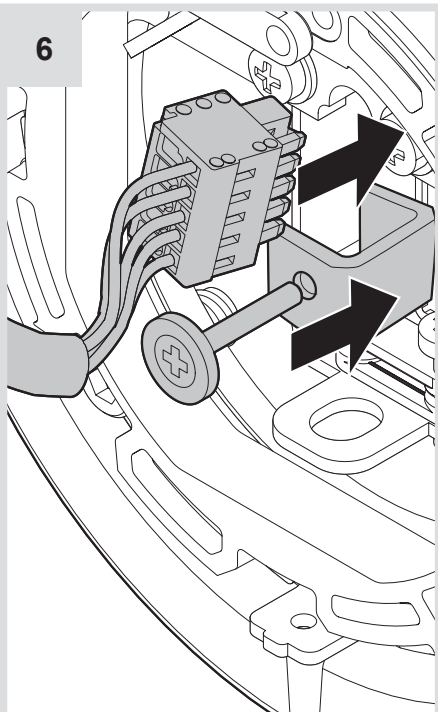
4



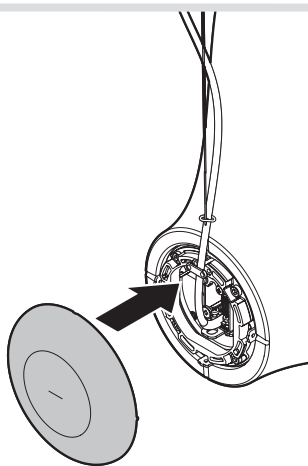
5



6

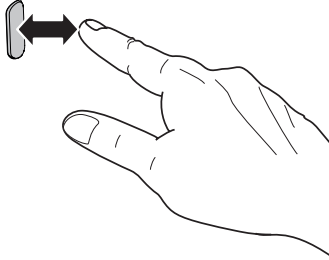
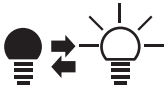


7

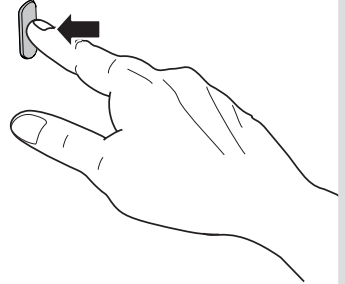
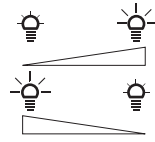




1



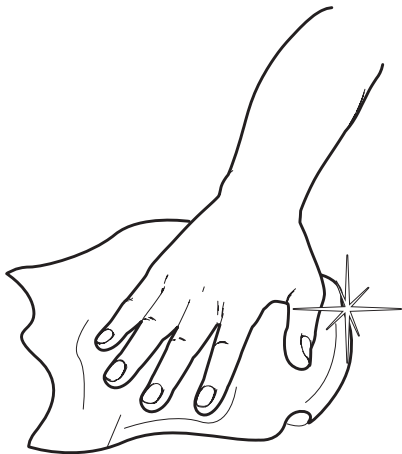
2



i



1



Artemide®



Artemide

via Bergamo, 18
20010 Pregnana M.se (MI)
ITALIA

tel. +39 02 935 181
fax +39 02 935 90 254
fax +39 02 935 90 496

www.artemide.com

VAT IT00846890150

cod. Y513000038