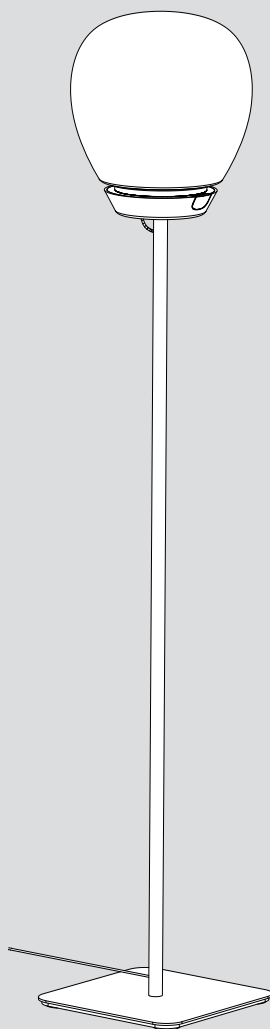


# Artemide®

## Empatia

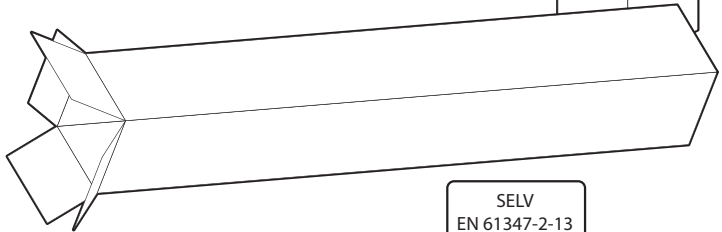
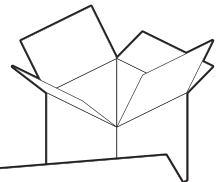
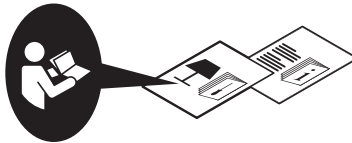
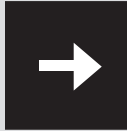
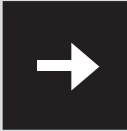
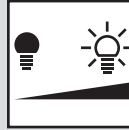
design

C. de Bevilacqua - P. di Arianello

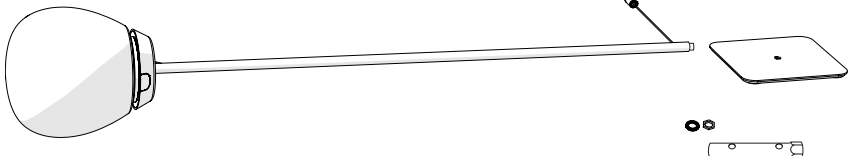




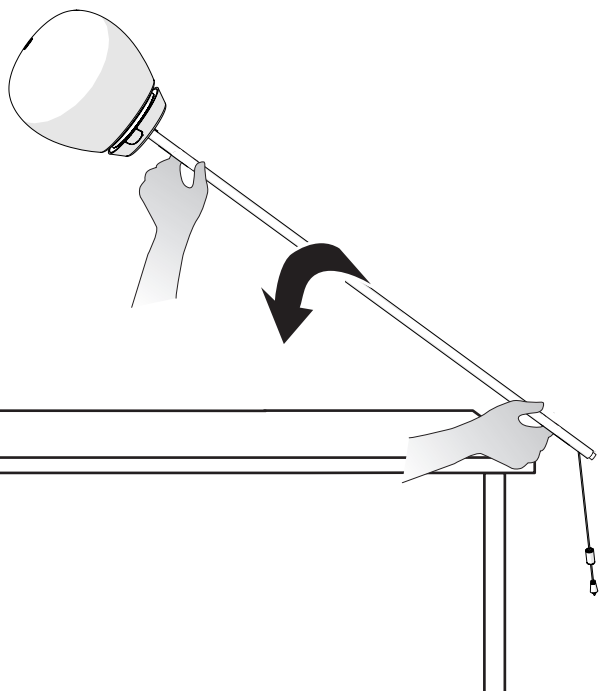
i



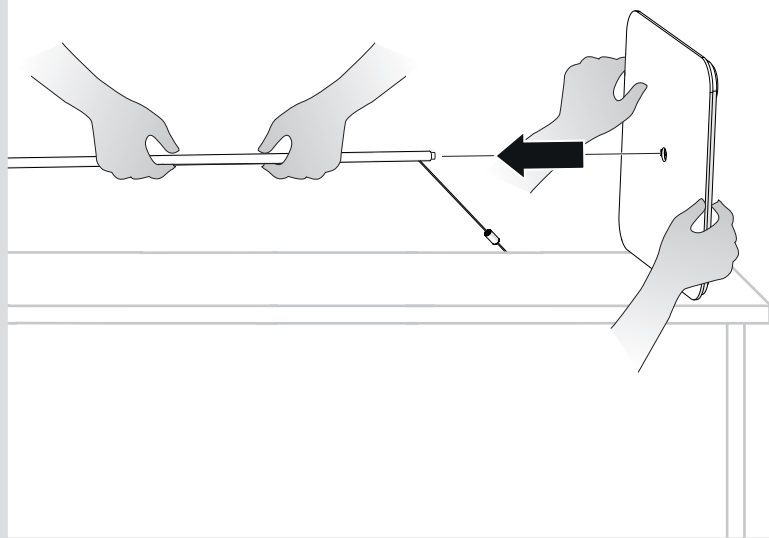
SELV  
EN 61347-2-13

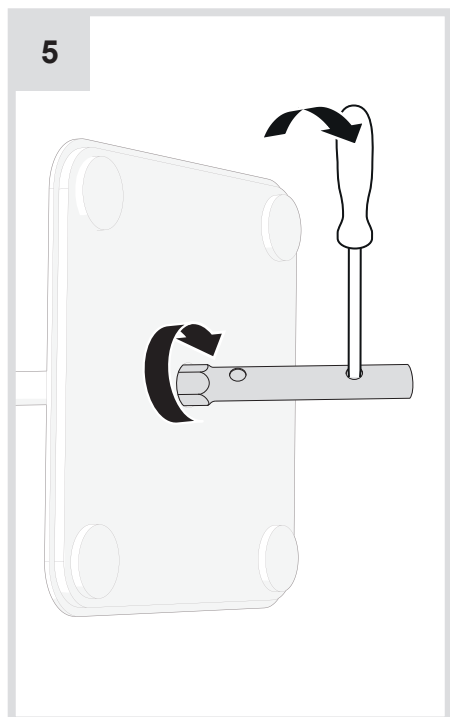
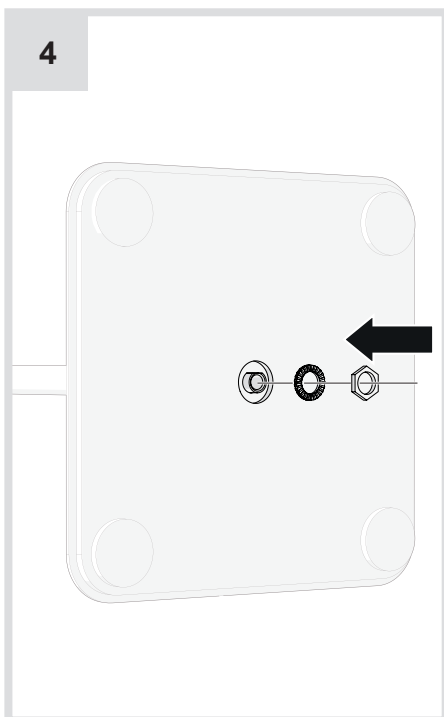
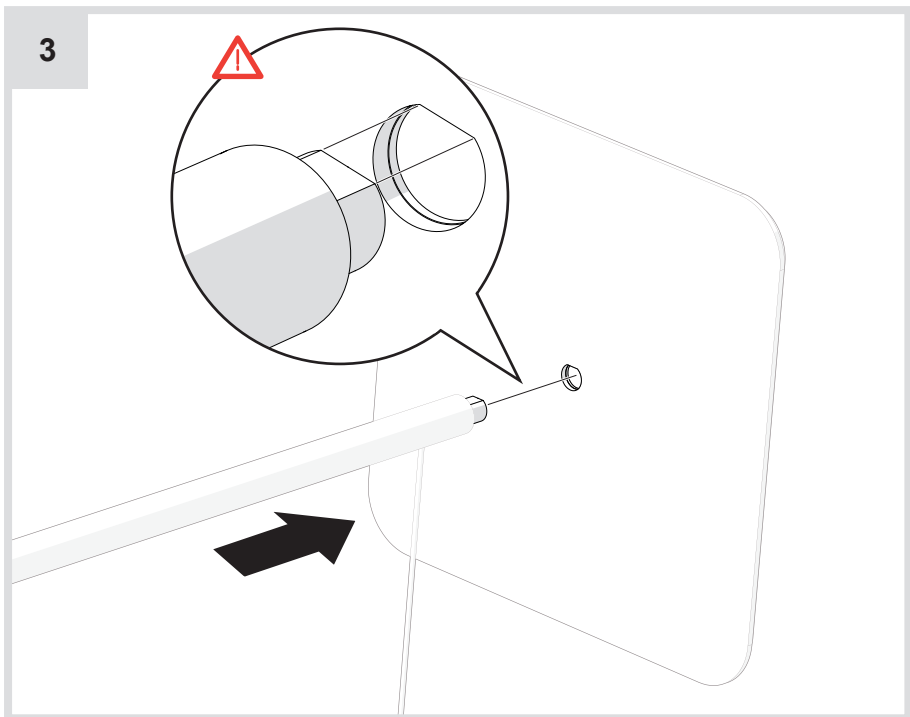


1

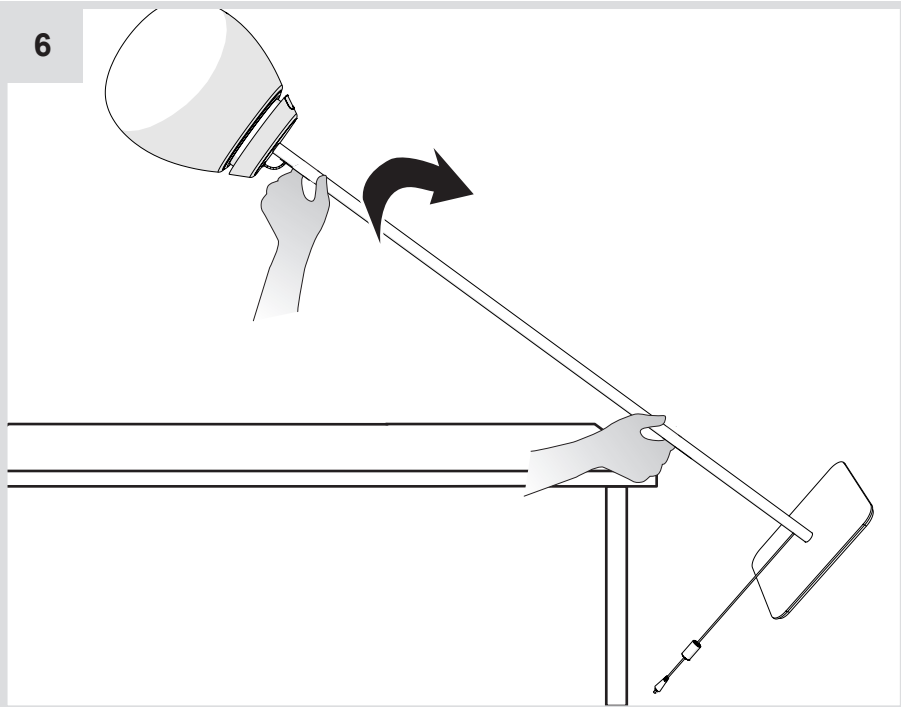


2

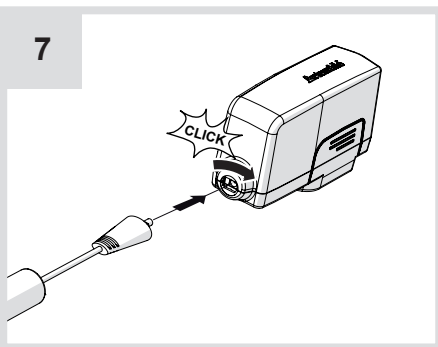




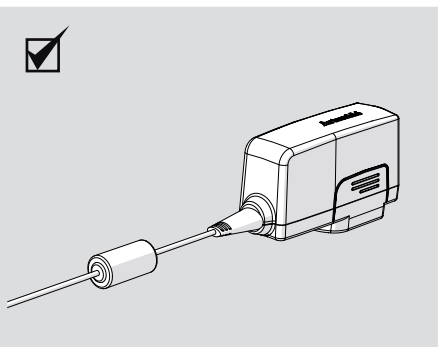
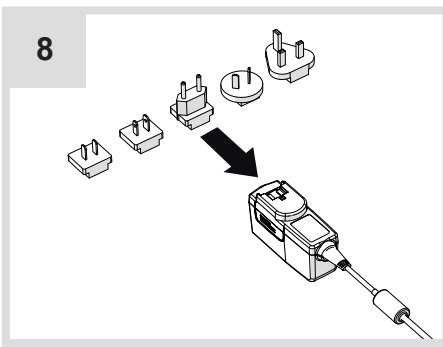
6



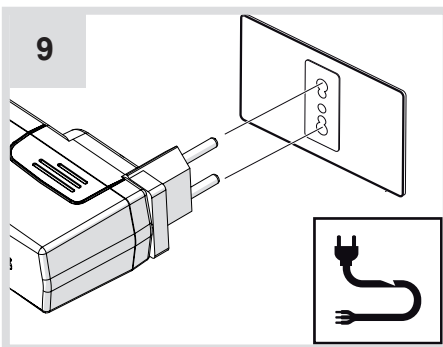
7

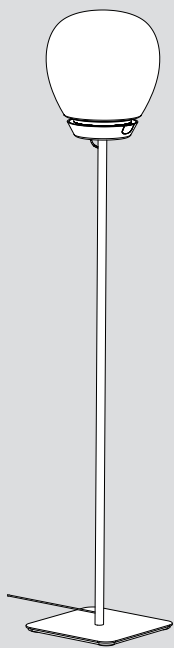


8

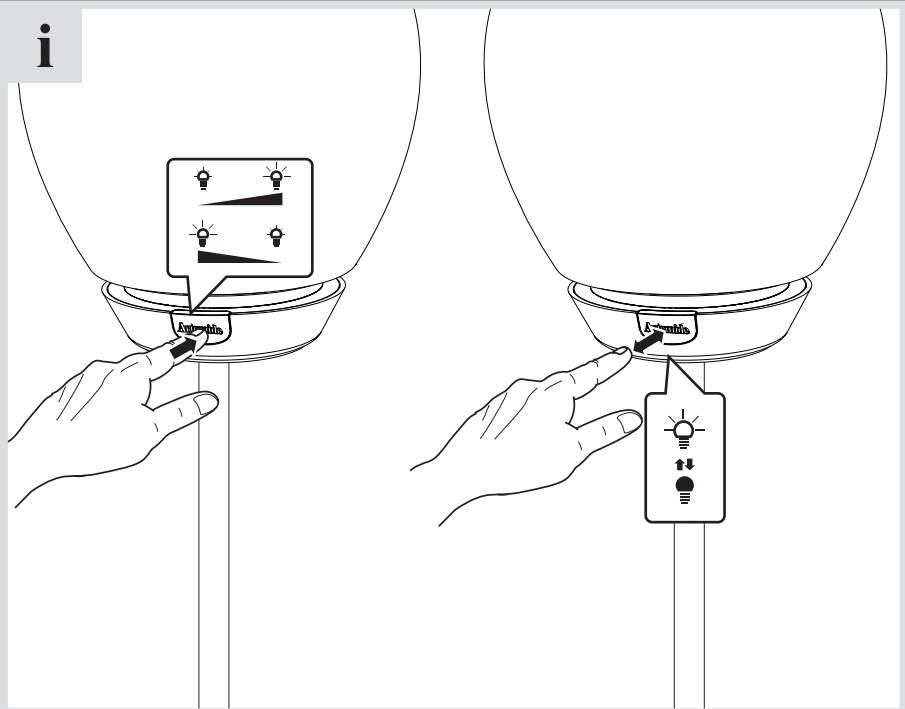


9

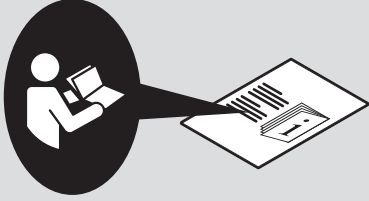




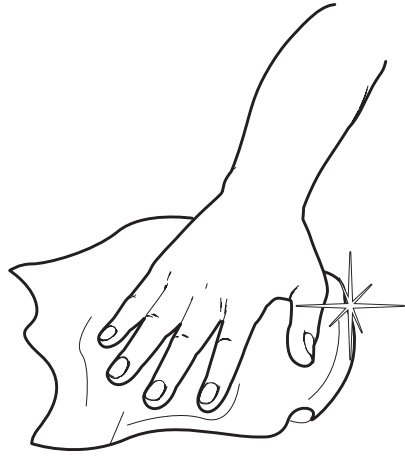
i



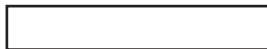
i



1



**Artemide®**



**Artemide**

via Bergamo, 18  
20010 Pregnana M.se (MI)  
ITALIA

tel. +39 02 935 181  
fax +39 02 935 90 254  
fax +39 02 935 90 496

[www.artemide.com](http://www.artemide.com)

VAT IT00846890150

cod. Y513000249A