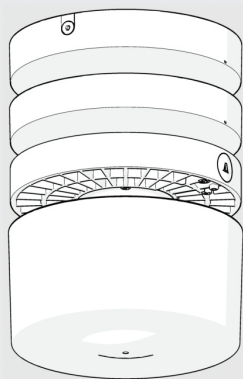
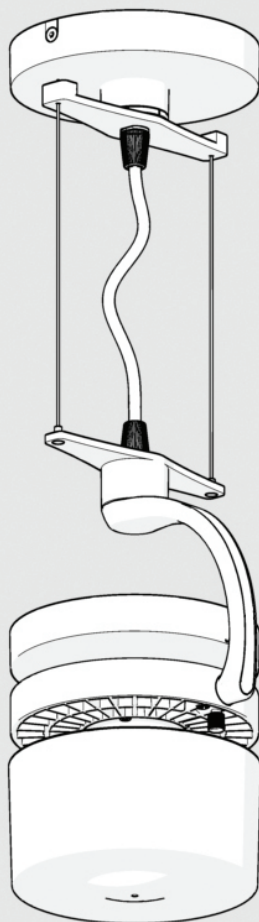
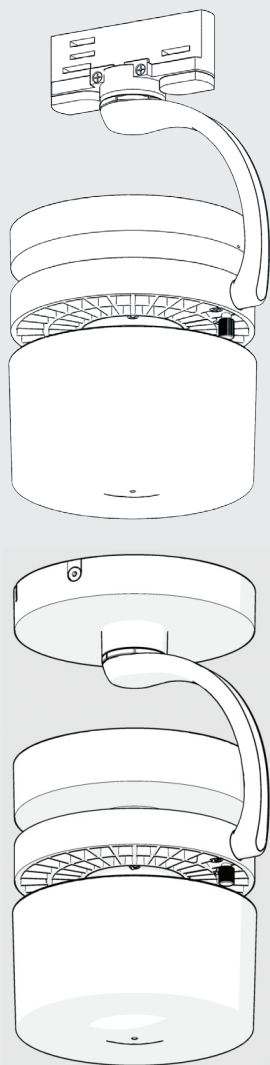


CATA TW

Design by
Carlotta de Bevilacqua





i

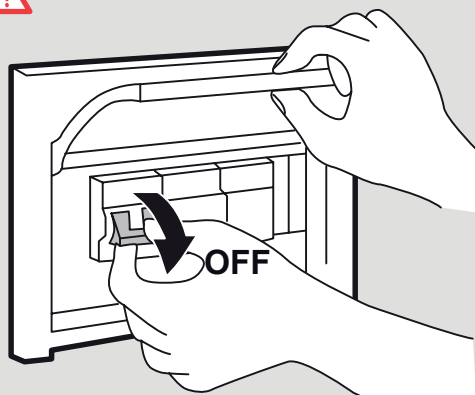
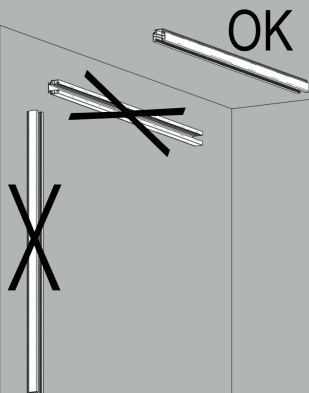
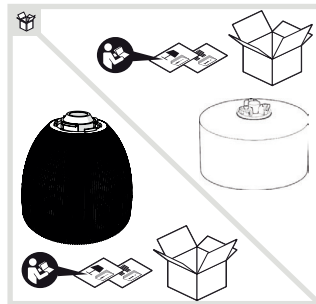
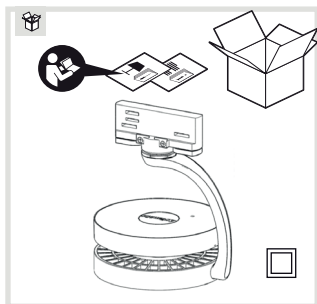
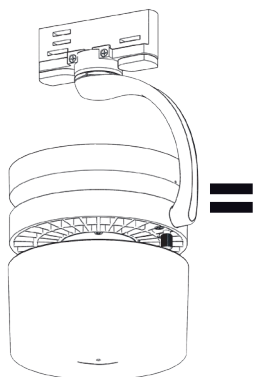
CE

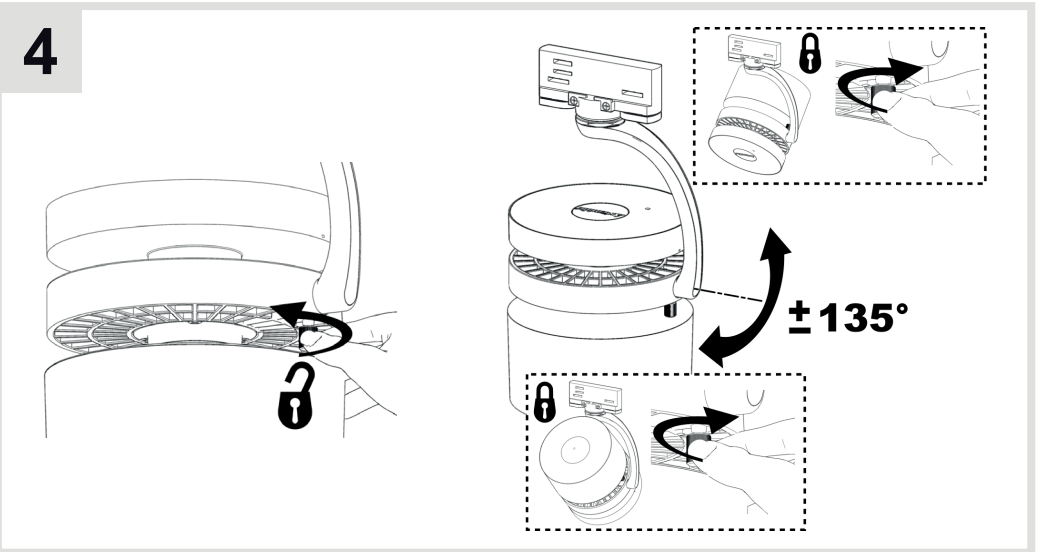
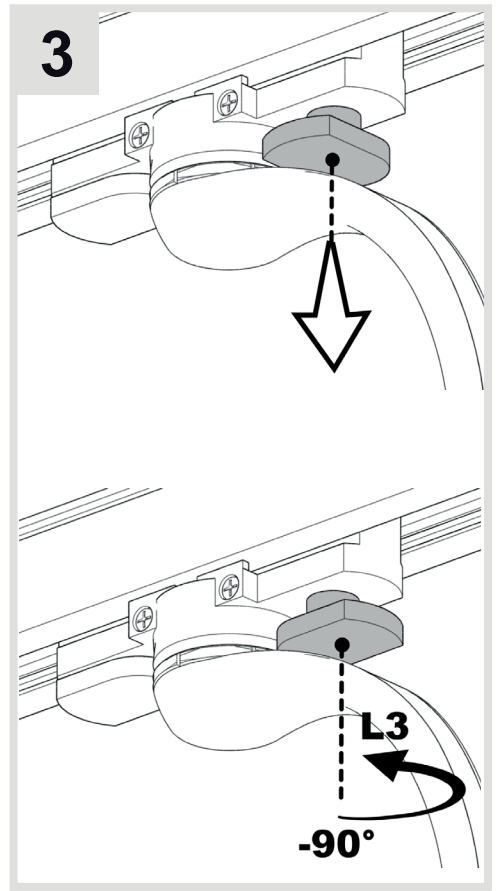
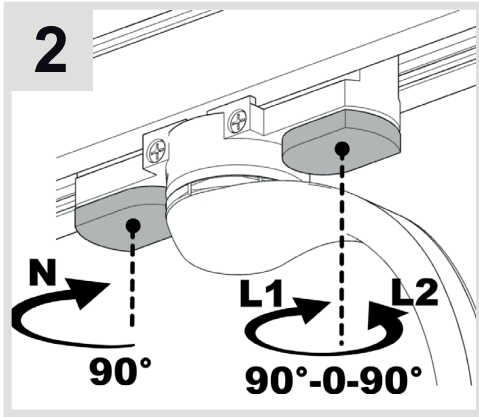
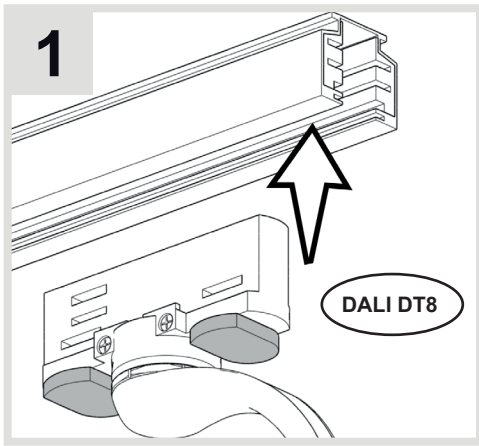
IP20

LED1

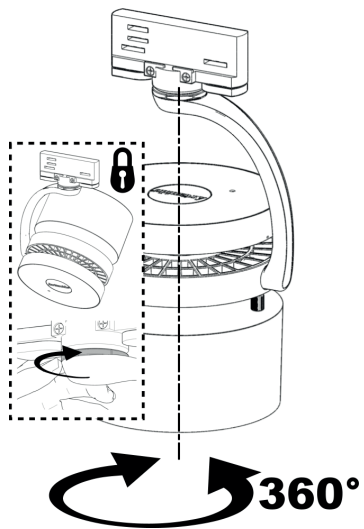
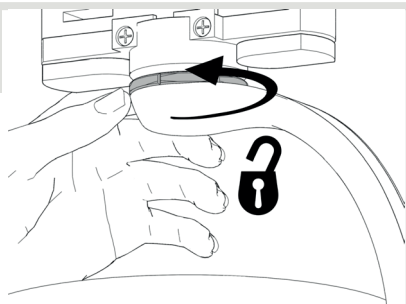


Track version



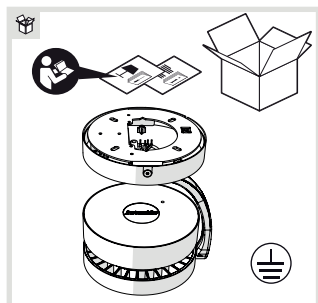
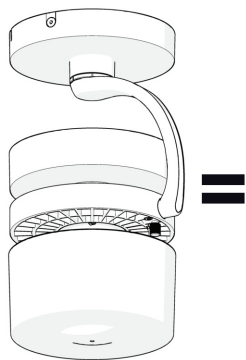


5

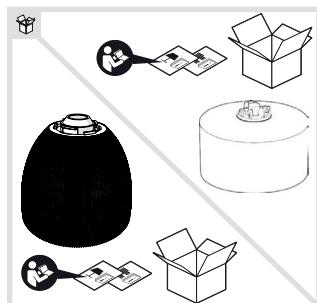




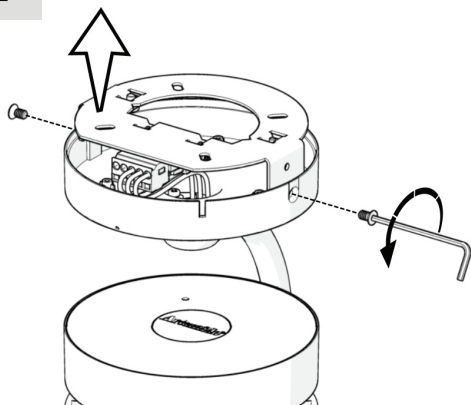
Ceiling version



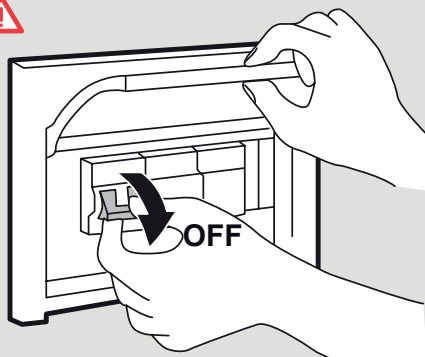
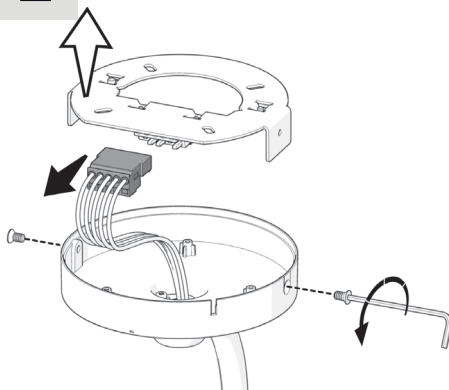
+



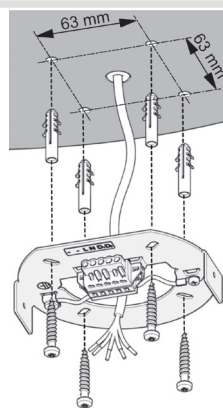
1

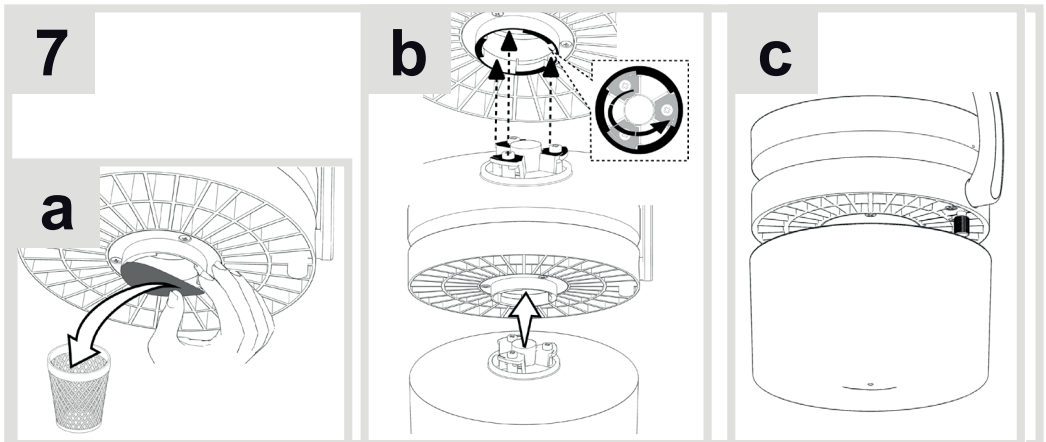
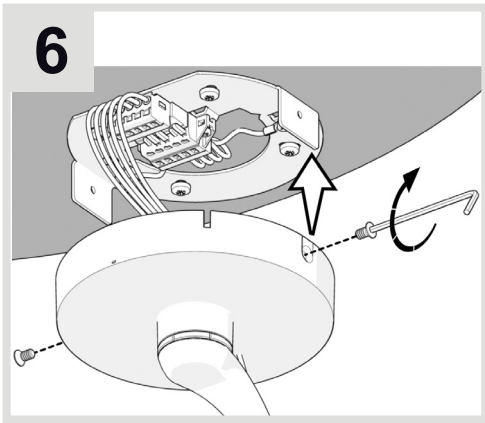
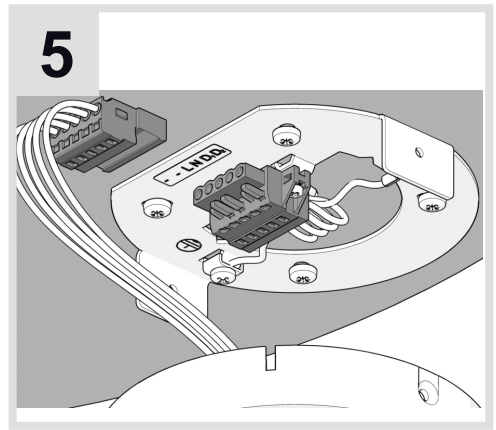
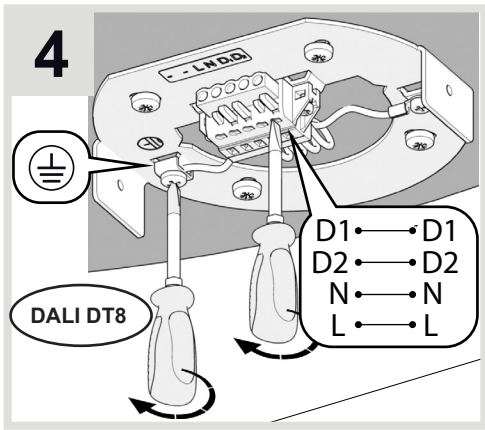


2

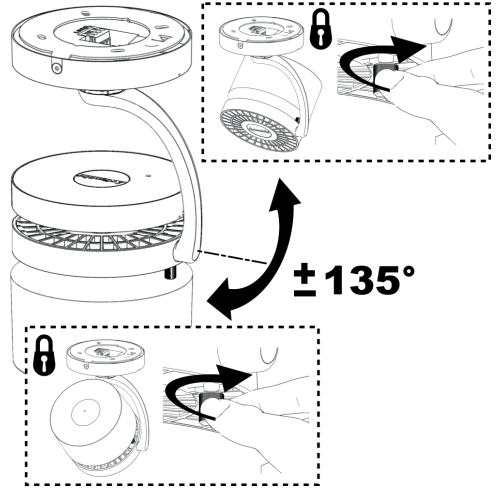
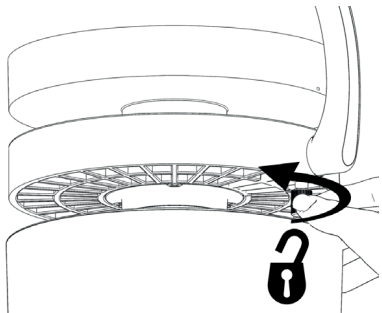


3

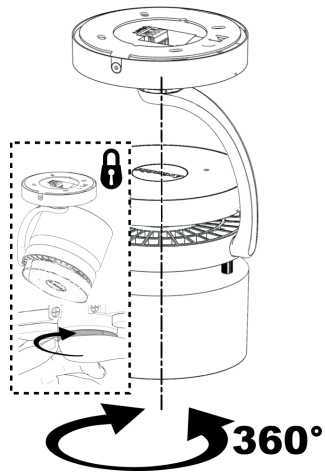
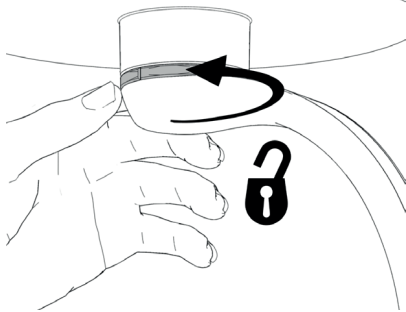




8



9

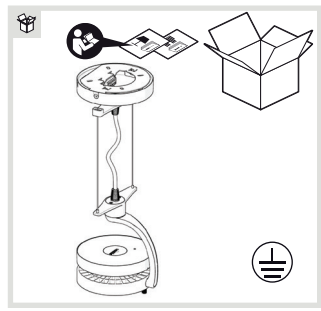




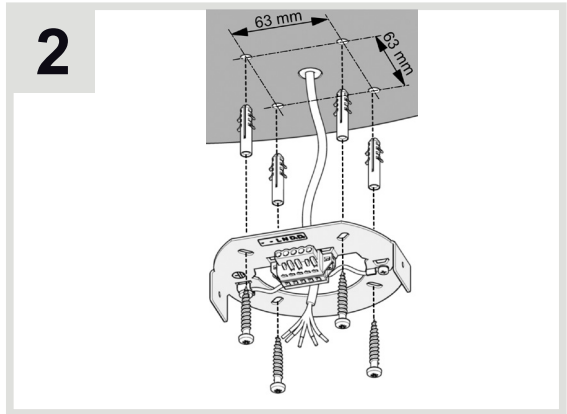
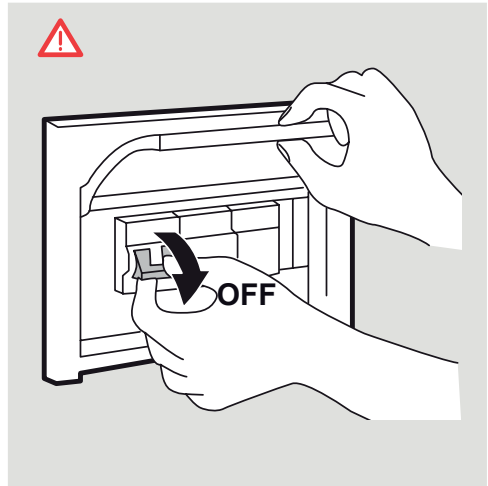
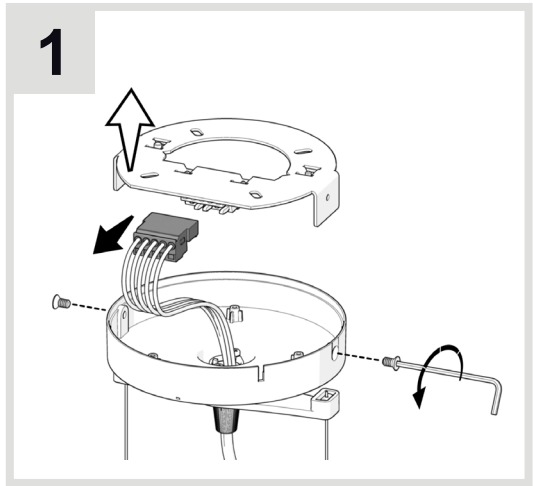
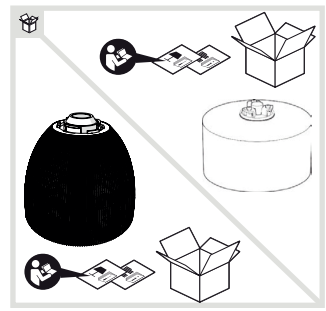
Suspension version

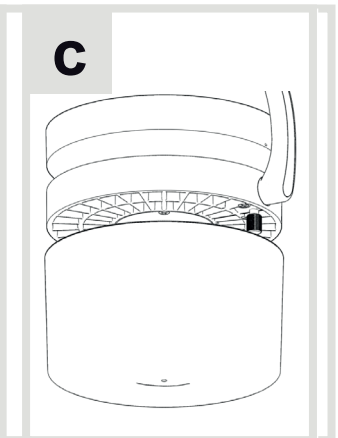
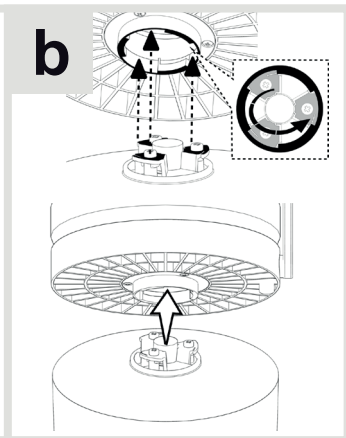
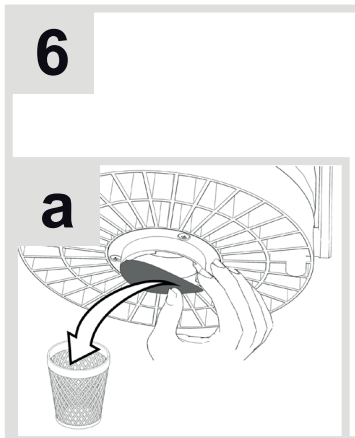
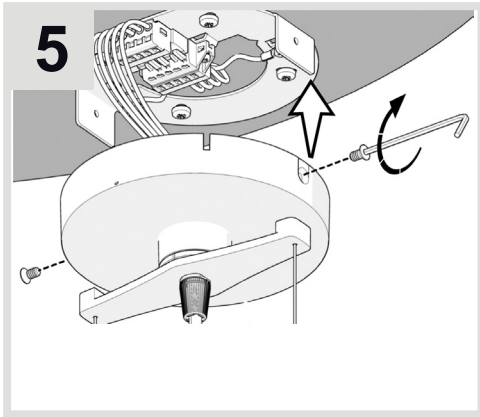
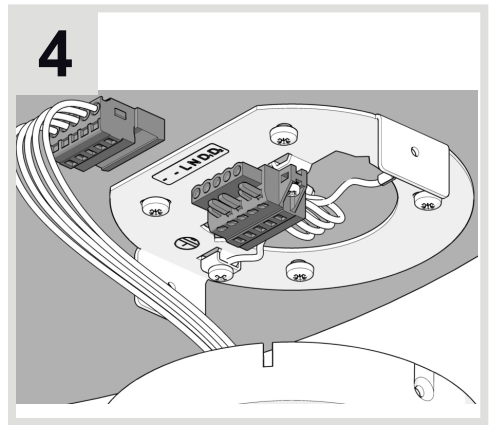
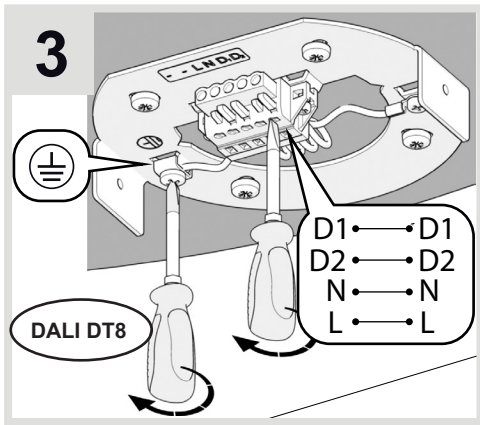


=

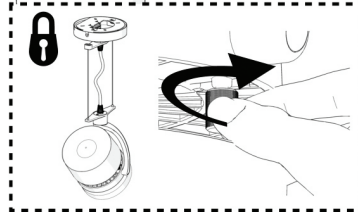
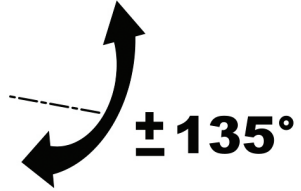
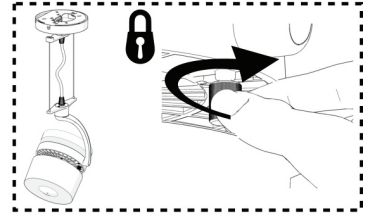
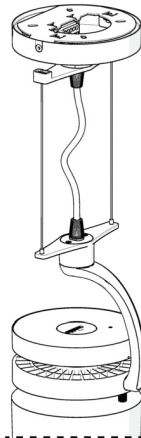
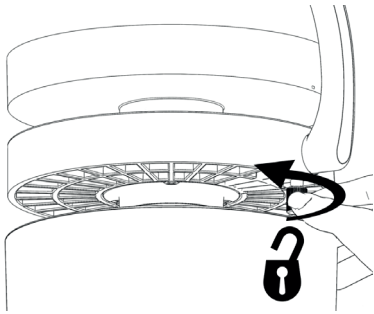


+

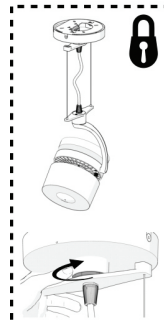
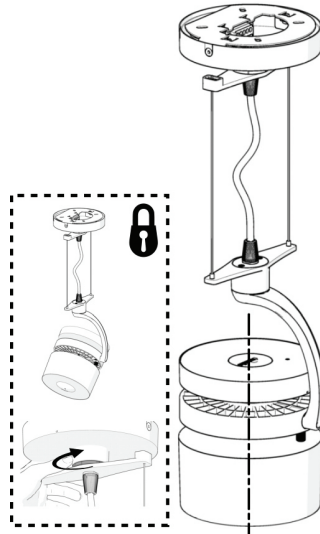
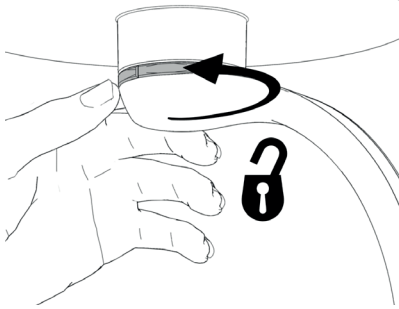




7

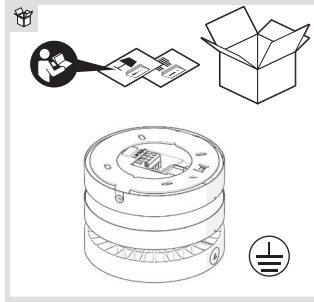
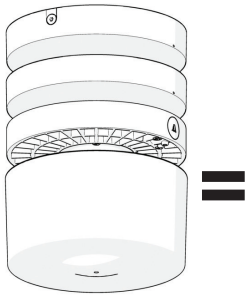


8

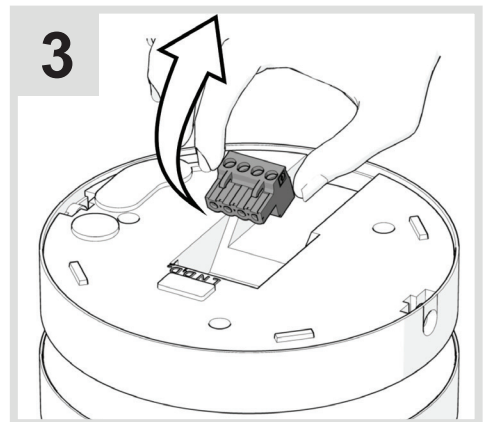
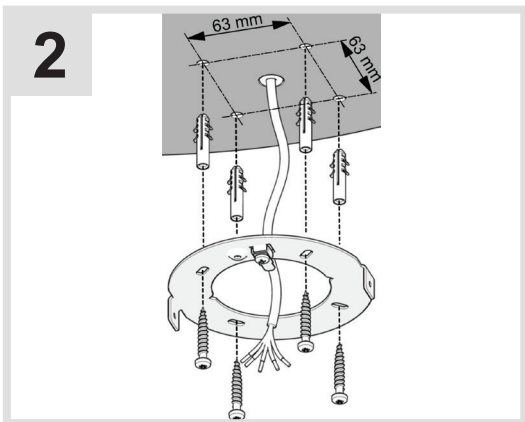
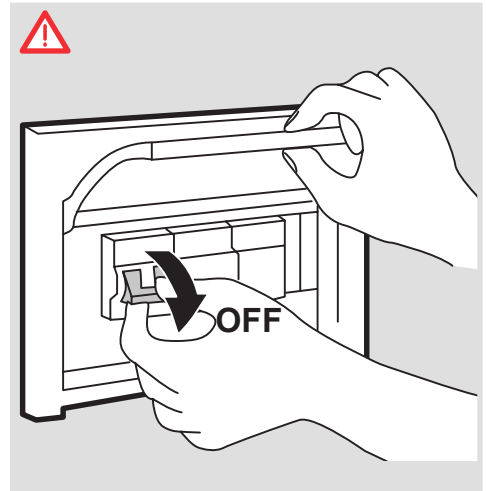
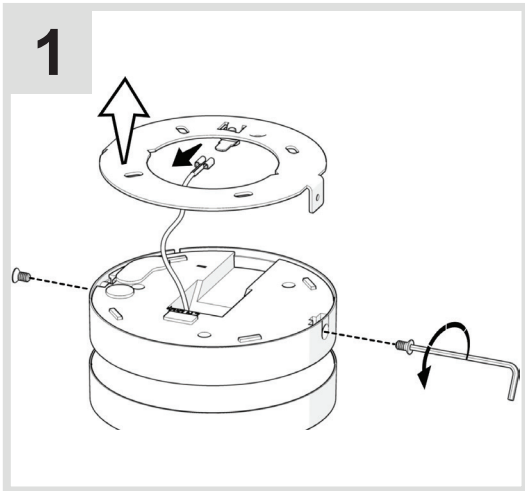
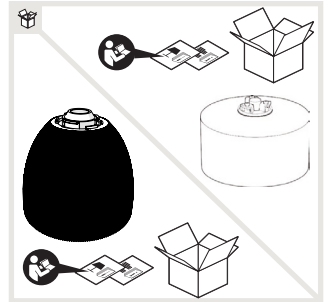


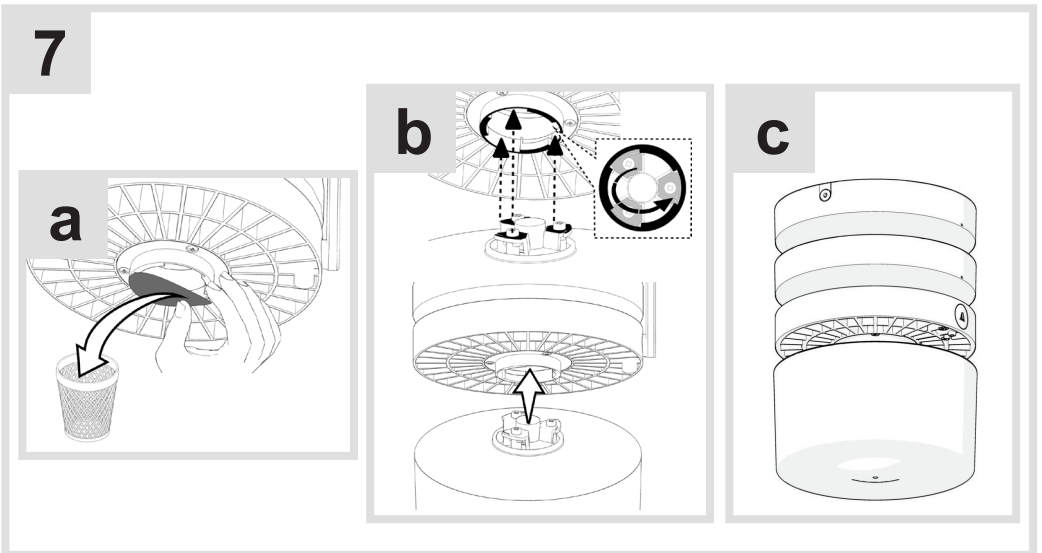
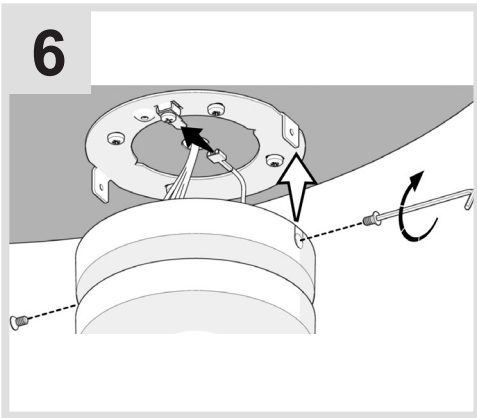
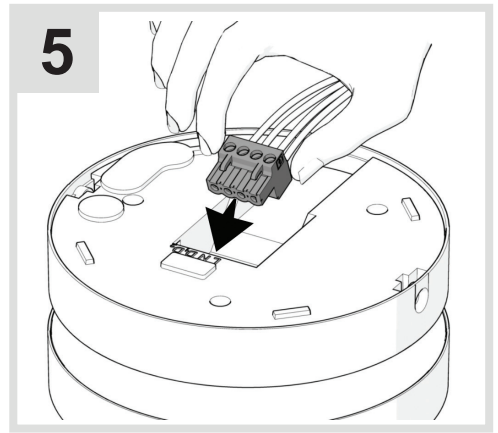
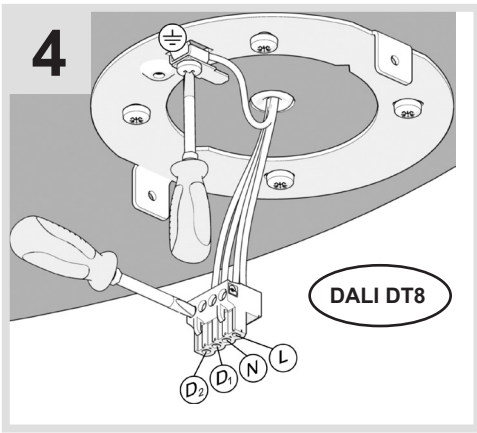


Ceiling Fix version



+



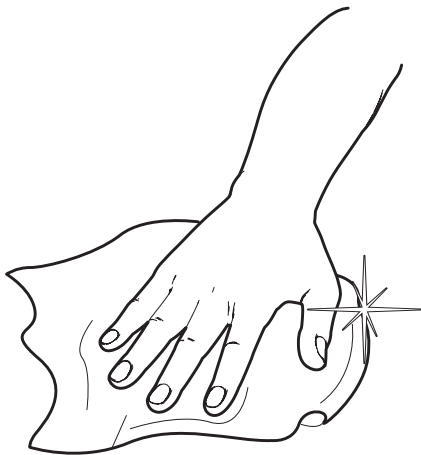




i



1



Artemide[®]
ARCHITECTURAL



Artemide

via Bergamo, 18
20010 Pregnana M.se (MI)
ITALIA

tel. +39 02 935 181
fax +39 02 935 90 254
fax +39 02 935 90 496

www.artemide.com

VAT IT00846890150

cod. Y503300213C