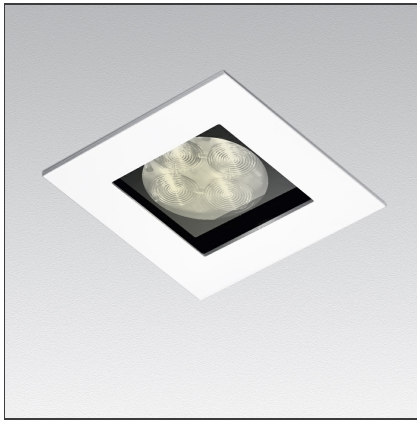


Zeno Up 4 - 30° 3000K - White



IP65 

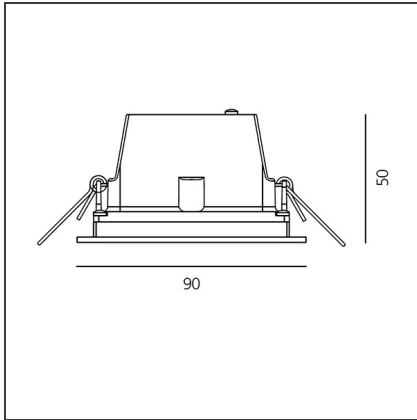
DESIGN BY

Jan Van Lierde

DESCRIPTION

Light fixture with high-performance LED light sources. Ceiling installation. Low recessed depth. Consist of body, frame, black silkscreened tempered glass, fixing springs. Body in EN AB44100 aluminium, silicone gaskets. Frame in aluminium. Black silkscreened tempered glass, 8mm-thick. Fixing springs in harmonic iron. Power connection to the mains by means of a H05RN-r cable and IP68 electrical terminal board, supplied with the fixture (IP65). Glass surface temperature lower than 40°C. Fixed optics. PMMA lenses in 2 different versions of beams. White monochromatic LEDs available in 2 colour temperatures: Warm = 3000K Neutral = 4000K Painted die-cast aluminium with 3-stage outdoor treatment: nanotechnologies, antioxydant primer, polyester paint. Technical features of light fixtures in compliance with EN60598-1 and part 2-13. IP Rating IP65 e IP40. Insulation class III. Installation must be carried out by specialised personnel. Carefully follow the instructions

TECHNICAL DRAWINGS



FEATURES

| | | | |
|----------------------|-------------------|----------------|--------|
| Article Code: | NL1708625K006 | Series: | Indoor |
| Colour: | White | | |
| Installation: | Recessed, Ceiling | | |

DIMENSIONS

| | | | |
|------------------------|--------|-----------------------|--------|
| Length: | cm 9 | Cutout Width: | cm 7.9 |
| Width: | cm 9 | Cutout length: | cm 7.9 |
| Weight: | kg 0.3 | | |
| Recessed depth: | cm 5 | | |

INCLUDED SOURCES

| | | | |
|------------------|------|-------------------------------|-------|
| Category: | LED | Color temperature (K): | 3000K |
| Number: | 1 | CRI: | 80 |
| Watt: | 6,5W | | |
| Type: | 0 | | |
| Class: | A | | |

LUMINAIRE

| | | | |
|--------------|------|--------------------------------------|-----------|
| Watt: | 6.5W | Delivered lumens output (lm): | 376lm |
| | | CCT: | 3000K |
| | | Efficiency: | 100% |
| | | Efficacy: | 59.68lm/W |
| | | CRI: | 80 |

ACCESSORIES

NO
IMAGE
AVAILABLE

ALIMENT. 13,5W
500mA IP67
NL19046

NO
IMAGE
AVAILABLE

DRIVER cc 16W
350mA 220-240
156 52 26 1max
DALI
dimmable/Push
dali
M077401

NO
IMAGE
AVAILABLE

ALIMENT. 8W
500mA (INDIP.)
NL10941