

## Zeno Up 3 Frosted - 3000K - Round



IP40 

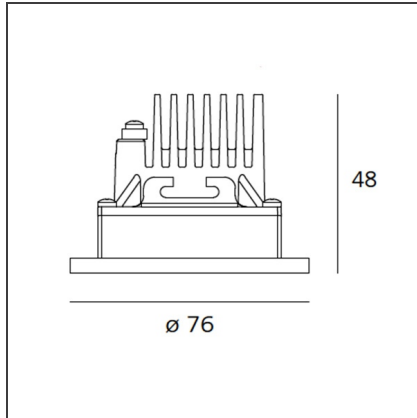
### DESIGN BY

Jan Van Lierde

### DESCRIPTION

Light fixture with high-performance LED light sources. Ceiling installation. Low recessed depth. Consist of body, frame, black silkscreened tempered glass, fixing springs. Body in EN AB44100 aluminium, silicone gaskets. Frame in aluminium. Black silkscreened tempered glass, 8mm-thick. Fixing springs in harmonic iron. Power connection to the mains by means of a H05RN-r cable and IP68 electrical terminal board, supplied with the fixture (IP65). Glass surface temperature lower than 40°C. Fixed optics. PMMA lenses in 2 different versions of beams. White monochromatic LEDs available in 2 colour temperatures: Warm = 3000K Neutral = 4000K Painted die-cast aluminium with 3-stage outdoor treatment: nanotechnologies, antioxydant primer, polyester paint. Technical features of light fixtures in compliance with EN60598-1 and part 2-13. IP Rating IP65 e IP40. Insulation class III. Installation must be carried out by specialised personnel. Carefully follow the instructions

### TECHNICAL DRAWINGS



### FEATURES

<b>Article Code:</b>	NL17090K0	<b>Series:</b>	Indoor
<b>Installation:</b>	Recessed, Ceiling		

### DIMENSIONS

<b>Recessed depth:</b>	cm 4.8	<b>Cutout diameter:</b>	cm 7
------------------------	--------	-------------------------	------

### INCLUDED SOURCES

<b>Category:</b>	LED	<b>Color temperature (K):</b>	3000K
<b>Number:</b>	1	<b>Color Tolerance:</b>	MacAdam 4SDCM
<b>Watt:</b>	5W	<b>CRI:</b>	=80
<b>Delivered lumens output (lm):</b>	384lm	<b>Efficacy:</b>	80lm/W
<b>Type:</b>	0	<b>Service Life:</b>	L70(6K) > 39300h
<b>Class:</b>	A		

### LUMINAIRE

<b>Watt:</b>	5W	<b>Delivered lumens output (lm):</b>	138lm
		<b>CCT:</b>	3000K
		<b>Efficiency:</b>	100%
		<b>Efficacy:</b>	28.75lm/W
		<b>CRI:</b>	80

**ACCESSORIES**

---



ALIMENT. 8W  
500mA (INDIP.)  
SLIM  
NL19041