

Yang LED - App Compatible



IP20 

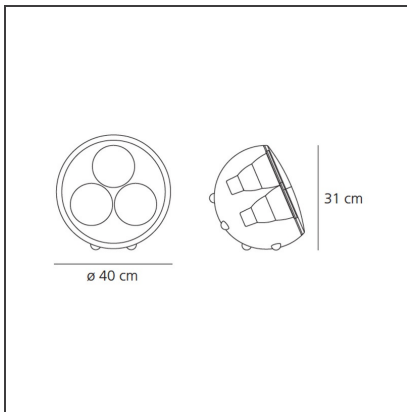
DESIGN BY

Carlotta de Bevilacqua

DESCRIPTION

Since the 1990s, with the Metamorfoosi project, Artemide has been working with coloured light, then with the colour temperatures of white, studying their significant psychological and physiological impact. The present evolution provides a broader range of colours that can become more and more vivid. We can reproduce all the colours in the visible spectrum and allow man to perceive all the wavelengths generated by natural sun light for optimal vision. Wavelengths can be selected and electronics ensures accurate and punctual management, as well as great freedom and flexibility to interact in real time. With such an advanced interaction mode, everyone is free to change his or her scenarios actively and consciously, in the pursuit of personal wellbeing.

TECHNICAL DRAWINGS



FEATURES

Article Code:	0324010APP	Material:	Methacrylate, polycarbonate
Colour:	Transparent	Series:	Design
Installation:	Floor	Emission:	Diffused
Environment:	Indoor		

DIMENSIONS

Height:	cm 31	Impact Resistance:	N/D
		Glow Wire Test:	N/D

INCLUDED SOURCES

Category:	LED	Color temperature (K):	3000K
Number:	1	Color Tolerance:	MacAdam 2SDCM
Watt:	36.36W	CRI:	90
Delivered lumens output (lm):	3899lm	Efficacy:	107lm/W
Type:	0	Service Life:	50000-L70
Class:	A		

LUMINAIRE

Power Supply:	Electronic Integrated
Watt:	42W