

# Vector Track 40 10W 20° 2700K Undimmable Brushed copper



IP20 

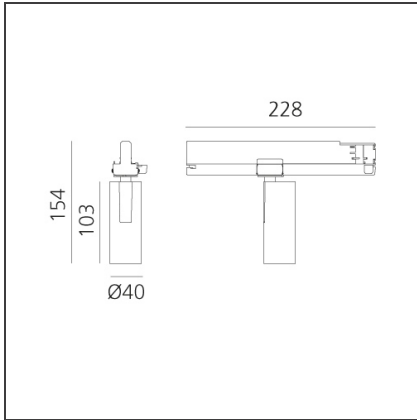
## DESIGN BY

Carlotta de Bevilacqua

## DESCRIPTION

Three sizes with three different beam angles each (spot, flood, wide flood) obtained by means of refractive or hybrid optical units. Vector 55 track DALI zoom optic (22°-32°). Junction arm integrated in the spotlight's body to keep the barycentre aligned with the track and prevent any imbalance in possible suspension versions of the track. The junction allows 360° rotation and 90° tilting for maximum emission adjustment freedom. Vector 95 available only in track version. Version with compact 4-conductor (3p+n) adapter with hidden LED driver and not-dimmable phase selector.

## TECHNICAL DRAWINGS



## FEATURES

|                      |                  |                |                                  |
|----------------------|------------------|----------------|----------------------------------|
| <b>Article Code:</b> | AN01218          | <b>Series:</b> | Indoor, 2018 Artemide Collection |
| <b>Colour:</b>       | Brushed copper   |                |                                  |
| <b>Installation:</b> | Projector, Track |                |                                  |
| <b>Environment:</b>  | Indoor           |                |                                  |

## DIMENSIONS

|                     |         |
|---------------------|---------|
| <b>Height:</b>      | cm 15.4 |
| <b>Base Length:</b> | cm 22.8 |
| <b>Inclination:</b> | -90+90  |
| <b>Rotation:</b>    | cm 360  |

## INCLUDED SOURCES

|                  |     |                               |       |
|------------------|-----|-------------------------------|-------|
| <b>Category:</b> | LED | <b>Color temperature (K):</b> | 2700K |
| <b>Number:</b>   | 1   |                               |       |
| <b>Watt:</b>     | 10W |                               |       |
| <b>Type:</b>     | 0   |                               |       |

## LUMINAIRE

|              |     |                                      |           |
|--------------|-----|--------------------------------------|-----------|
| <b>Watt:</b> | 10W | <b>Delivered lumens output (lm):</b> | 543lm     |
|              |     | <b>CCT:</b>                          | 2700K     |
|              |     | <b>Efficiency:</b>                   | 69%       |
|              |     | <b>Efficacy:</b>                     | 54.25lm/W |
|              |     | <b>CRI:</b>                          | 90        |

## Notes

220/240Vac 50/60Hz Electronic ballast included.

**ACCESSORIES**

Accessories holder  
- Vector 40  
AP90100



Lens for elliptical  
emission - Vector  
40  
AP90200



Soft filter - Vector  
40  
AP90300



Anti-dazzle louvre  
- Vector 40  
AP90400