

Tolomeo Pinza LED 2700K



IP20

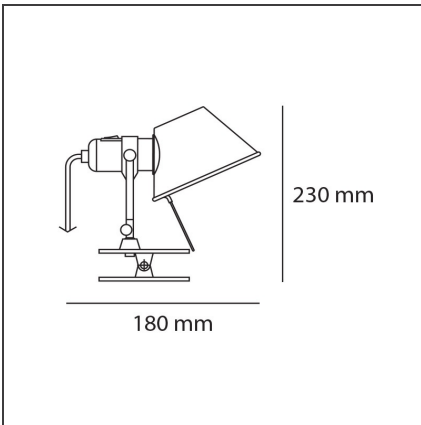
DESIGN BY

Michele De Lucchi, Giancarlo Fassina

DESCRIPTION

Support in polished aluminium, diffuser in matt anodised aluminium; steel pincer grip.

TECHNICAL DRAWINGS



FEATURES

Article Code:	A0448W50	Material:	Aluminium, steel
Colour:	Aluminium	Series:	Design
Installation:	Wall		

DIMENSIONS

Height:	cm 23	Glow Wire Test:	750
Depth:	cm 18		

INCLUDED SOURCES

Category:	LED	Color temperature (K):	2700K
Number:	1	CRI:	90
Watt:	10W		
Type:	0		
Class:	A		

LUMINAIRE

Watt:	10W	Delivered lumens output (lm):	593lm
Voltage:	24V	CCT:	2700K
		Efficiency:	70%
		Efficacy:	59lm/W
		CRI:	90
		Dimmer Typology:	Microswitch Dimmer