





## Tolomeo Micro Wall - Anodized red



IP20    

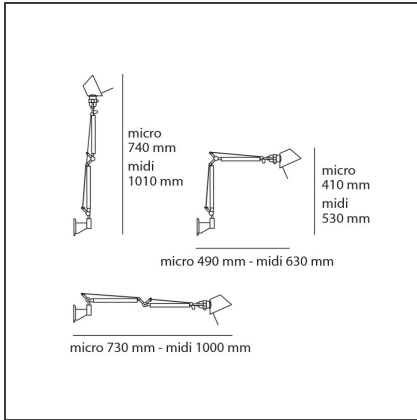
### DESIGN BY

Michele De Lucchi, Giancarlo Fassina

### DESCRIPTION

Cantilevered arms in polished aluminium; diffuser in anodised red aluminium; joints and wall support in polished aluminium. System of spring balancing. The code refers to the luminaire's body only

### TECHNICAL DRAWINGS



### FEATURES

|                      |           |                  |           |
|----------------------|-----------|------------------|-----------|
| <b>Article Code:</b> | A010910   | <b>Material:</b> | Aluminium |
| <b>Colour:</b>       | Metal red | <b>Series:</b>   | Design    |
| <b>Installation:</b> | Wall      |                  |           |

### DIMENSIONS

|                              |       |                              |       |
|------------------------------|-------|------------------------------|-------|
| <b>Length:</b>               | cm 49 | <b>Max Extension Length:</b> | cm 73 |
| <b>Height:</b>               | cm 41 |                              |       |
| <b>Max Extension Height:</b> | cm 74 |                              |       |

### NOT INCLUDED SOURCES

|                  |      |                               |       |
|------------------|------|-------------------------------|-------|
| <b>Category:</b> | HALO | <b>Color Rendering:</b>       | 1a    |
| <b>Number:</b>   | 1    | <b>Color temperature (K):</b> | 3000K |
| <b>Watt:</b>     | 46W  |                               |       |
| <b>Lbs:</b>      | Qt26 |                               |       |
| <b>Socket:</b>   | E14  |                               |       |

### ALTERNATIVE SOURCES

|                                      |       |
|--------------------------------------|-------|
| <b>Category:</b>                     | LED   |
| <b>Number:</b>                       | 1     |
| <b>Watt:</b>                         | 4W    |
| <b>Delivered lumens output (lm):</b> | 370lm |
| <b>Type:</b>                         | 2     |
| <b>Socket:</b>                       | E14   |
| <b>Class:</b>                        | A     |

### LUMINAIRE

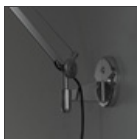
|                 |           |
|-----------------|-----------|
| <b>Watt:</b>    | 46W       |
| <b>Voltage:</b> | 220V-240V |

### Notes

Possibility to mount LED source on E14 Socket

**ACCESSORIES**

---



TOLOMEO  
SUPPORTO  
PARETE NEW  
A025150