

# Tolomeo Micro Wall - Anodized blue



IP20    

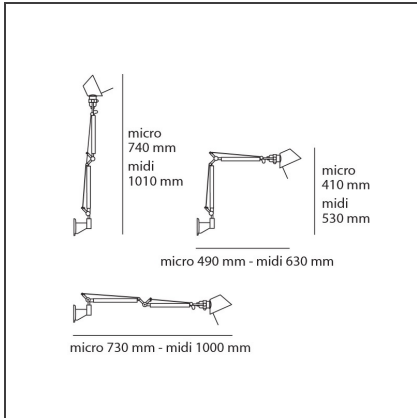
## DESIGN BY

Michele De Lucchi, Giancarlo Fassina

## DESCRIPTION

Cantilevered arms in polished aluminium; diffuser in anodised blue aluminium; joints and wall support in polished aluminium. System of spring balancing. The code refers to the luminaire's body only

## TECHNICAL DRAWINGS



## FEATURES

<b>Article Code:</b>	A010950	<b>Material:</b>	Aluminium
<b>Colour:</b>	Metal blue	<b>Series:</b>	Design
<b>Installation:</b>	Wall		

## DIMENSIONS

<b>Length:</b>	cm 49	<b>Max Extension Length:</b>	cm 73
<b>Height:</b>	cm 41		
<b>Max Extension Height:</b>	cm 74		

## NOT INCLUDED SOURCES

<b>Category:</b>	HALO	<b>Color Rendering:</b>	1a
<b>Number:</b>	1	<b>Color temperature (K):</b>	3000K
<b>Watt:</b>	46W		
<b>Lbs:</b>	Qt26		
<b>Socket:</b>	E14		

## ALTERNATIVE SOURCES

<b>Category:</b>	LED
<b>Number:</b>	1
<b>Watt:</b>	4W
<b>Delivered lumens output (lm):</b>	370lm
<b>Type:</b>	2
<b>Socket:</b>	E14
<b>Class:</b>	A

## LUMINAIRE

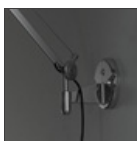
<b>Watt:</b>	46W
<b>Voltage:</b>	220V-240V

## Notes

Possibility to mount LED source on E14 Socket

**ACCESSORIES**

---



TOLOMEO  
SUPPORTO  
PARETE NEW  
A025150