

## Tolomeo Micro Table - Glossy white



IP20     

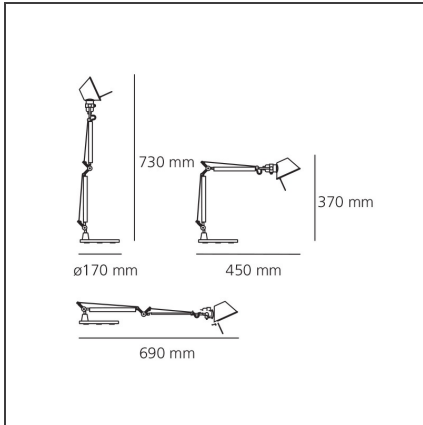
### DESIGN BY

Michele De Lucchi, Giancarlo Fassina

### DESCRIPTION

Base and cantilevered arms in polished aluminium; diffuser in matt anodised aluminium; joints and supports in polished aluminium. System of spring balancing. The code is referred to the body lamp only

### TECHNICAL DRAWINGS



### FEATURES

<b>Article Code:</b>	0011820A	<b>Material:</b>	Aluminium, steel
<b>Colour:</b>	Glossy white	<b>Series:</b>	Design
<b>Installation:</b>	Table		

### DIMENSIONS

<b>Length:</b>	cm 45	<b>Max Extension Length:</b>	cm 69
<b>Height:</b>	cm 37		
<b>Base Diameter:</b>	cm 17		
<b>Max Extension Height:</b>	cm 73		

### NOT INCLUDED SOURCES

<b>Category:</b>	HALO	<b>Color Rendering:</b>	1a
<b>Number:</b>	1	<b>Color temperature (K):</b>	3000K
<b>Watt:</b>	46W		
<b>Lbs:</b>	Qt26		
<b>Socket:</b>	E14		

### ALTERNATIVE SOURCES

<b>Category:</b>	LED
<b>Number:</b>	1
<b>Watt:</b>	4W
<b>Type:</b>	2
<b>Socket:</b>	E14
<b>Class:</b>	A

### LUMINAIRE

<b>Watt:</b>	46W
<b>Voltage:</b>	220V-240V

### Notes

Interchangeable support: table base, clamp, desk fixed support and twin support that allows two independent lamp units to be fitted. Possibility to mount LED source on E14 Socket