

# Tolomeo Micro Pinza LED 3000K



IP20

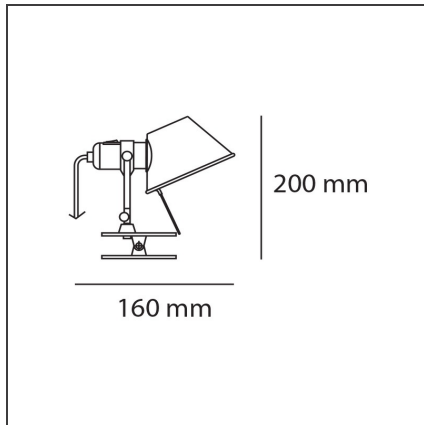
## DESIGN BY

Michele De Lucchi, Giancarlo Fassina

## DESCRIPTION

Support in polished aluminium, diffuser in matt anodised aluminium; steel pincer grip.

## TECHNICAL DRAWINGS



## FEATURES

<b>Article Code:</b>	A043800	<b>Material:</b>	Aluminium, steel
<b>Colour:</b>	Aluminium	<b>Series:</b>	Design
<b>Installation:</b>	Wall		

## DIMENSIONS

<b>Height:</b>	cm 20	<b>Glow Wire Test:</b>	750
<b>Depth:</b>	cm 16		

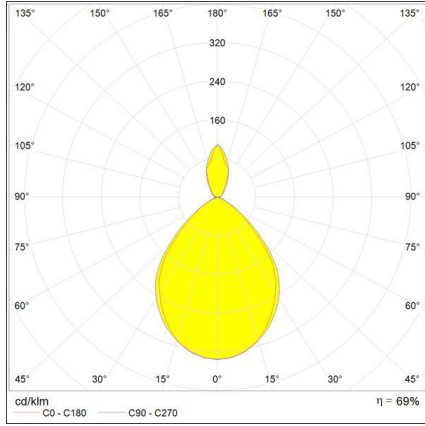
## INCLUDED SOURCES

<b>Category:</b>	LED	<b>Color temperature (K):</b>	3000K
<b>Number:</b>	1	<b>CRI:</b>	90
<b>Watt:</b>	9W		
<b>Type:</b>	0		
<b>Class:</b>	A		

## LUMINAIRE

<b>Power Supply:</b>	Electronic Dimmable Remote	<b>Delivered lumens output (lm):</b>	461lm
<b>Transformer availability:</b>	Remote	<b>CCT:</b>	3000K
<b>Watt:</b>	9W	<b>Efficiency:</b>	63%
<b>Voltage:</b>	24V	<b>Efficacy:</b>	51.17lm/W
		<b>CRI:</b>	90
		<b>Dimmer Typology:</b>	Microswitch Dimmer

**LIGHT DISTRIBUTION**



We reserve the right to change our product specifications.  
Please visit [www.artemide.com](http://www.artemide.com) for the latest product information

March 2019