

Talak Professional Table - Clamp



IP20   

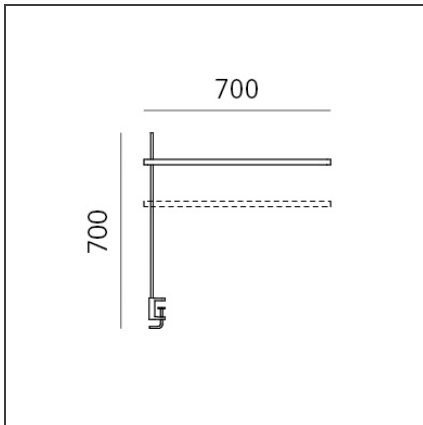
DESIGN BY

Neil Poulton

DESCRIPTION

Artemide introduces new versions of its bestsellers to keep up with the pace of LED technology development in terms of performance, amount, and quality of light. The new Talak Professional appliance has the same stem structure, which allows movement around the axis and vertically along its height; the protruding head's body is modified to adjust to technological evolution, as well as to meet functional requirements for better use and relation with the working space. The new head is in fact less intrusive, being as much as 15 cm shorter than in the original version. The smaller size ensures a reduced intrusion into the working space but, at the same time, its technological development makes it more prominent in terms of lighting: the emitted flow is almost triple compared to the classical version, with a minimum increase of power.

TECHNICAL DRAWINGS



FEATURES

Article Code:	0678510A	Material:	technopolymer, steel, aluminum
Colour:	White	Series:	Design
Installation:	Table	Emission:	Direct
Environment:	Indoor		

DIMENSIONS

Length:	cm 70.7
Height:	cm 71

INCLUDED SOURCES

Category:	LED	Color temperature (K):	3000K
Number:	1	Color Tolerance:	MacAdam 3SDCM
Watt:	10W	CRI:	90
Delivered lumens output (lm):	1106lm	Efficacy:	113lm/W
Type:	0	Service Life:	50000-L70

LUMINAIRE

Watt:	12W	Delivered lumens output (lm):	745lm
Voltage:	100-240V	CCT:	3000K
		Efficiency:	79%
		Efficacy:	62lm/W
		CRI:	90
		Dimmer Typology:	Microswitch Dimmer