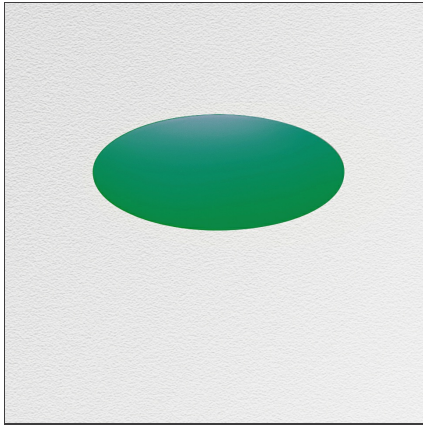


# Tagora Recessed 270 - LED 32° - 3000K - Green



IP20   Dimmerable:  -

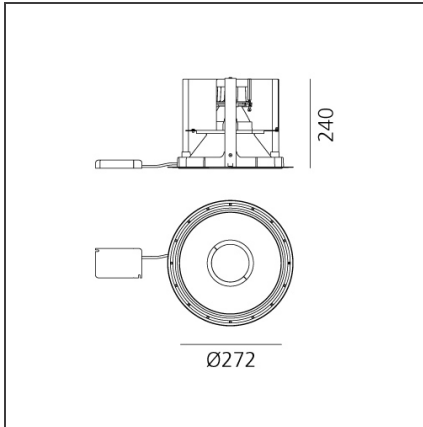
## DESIGN BY

S./R. Cornelissen

## DESCRIPTION

Series of ceiling mounted luminaires available in 4 diameters (80 mm, 270 mm, 570 mm, 970 mm), using high-output LEDs, Retrofit LEDs. Consists of a trimless recessed frame fitted into the ceiling and an optical unit with an aluminium body painted in a range of colours: beige/white, grey/white, black/orange, black/vert and black/blue. Tagora 80 and 270 offer a high-output spot light with aluminium optics. Tagora 270 uses a proprietary system based on a hybrid combined lens and reflector optic. This system helps to create defined narrow beams using high-powered LED modules of large dimensions. Tagora 570 and 970 come with a PMMA diffuser, offering a comfortable diffused light. LED versions use high-output sources. Integrated electronic power supply, dimmable or non-dimmable options, depending on the version. Only ceiling recessed installation allowed. Compliant with standard EN60598-1 and other specific standards.

## TECHNICAL DRAWINGS



## FEATURES

<b>Article Code:</b>	M250641	<b>Material:</b>	Aluminium
<b>Colour:</b>	Green	<b>Series:</b>	Indoor
<b>Installation:</b>	Recessed		

## DIMENSIONS

<b>Weight:</b>	kg 3.8	<b>Cutout diameter:</b>	cm 29.2
<b>Recessed depth:</b>	cm 24	<b>Cutout shape:</b>	Rounded
		<b>Glow Wire Test:</b>	750

## INCLUDED SOURCES

<b>Category:</b>	LED	<b>Color temperature (K):</b>	3000K
<b>Number:</b>	1	<b>Color Tolerance:</b>	MacAdam 1SDCM
<b>Watt:</b>	34W	<b>CRI:</b>	90
<b>Type:</b>	0	<b>Service Life:</b>	L70 (6K) 50000h
<b>Class:</b>	A		

## LUMINAIRE

<b>Power Supply:</b>	Electronic Integrated	<b>Delivered lumens output (lm):</b>	1636lm
<b>Watt:</b>	34W	<b>CCT:</b>	3000K
<b>Voltage:</b>	220V-240V	<b>Efficiency:</b>	43%
		<b>Efficacy:</b>	48.11lm/W
		<b>CRI:</b>	90
		<b>Dimmable Typology:</b>	Dali