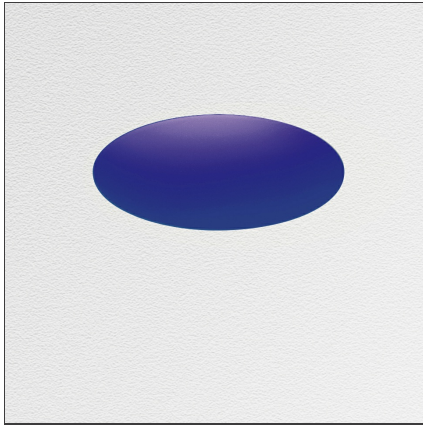
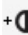


Tagora Recessed 270 - LED 16° -4000K - Blue



IP20   Dimmerable: +  -

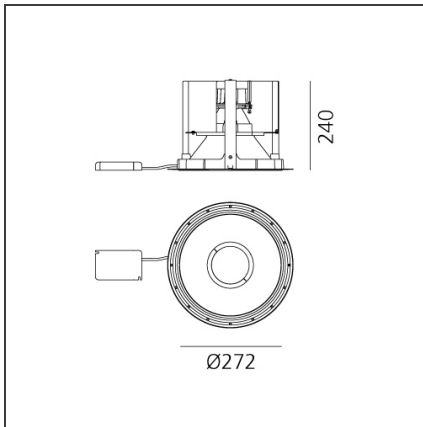
DESIGN BY

S./R. Cornelissen

DESCRIPTION

Series of ceiling mounted luminaires available in 4 diameters (80 mm, 270 mm, 570 mm, 970 mm), using high-output LEDs, Retrofit LEDs. □Consists of a trimless recessed frame fitted into the ceiling and an optical unit with an aluminium body painted in a range of colours: beige/white, grey/white, black/orange, black/vert and black/blue. □Tagora 80 and 270 offer a high-output spot light with aluminium optics. □Tagora 270 uses a proprietary system based on a hybrid combined lens and reflector optic. This system helps to create defined narrow beams using high-powered LED modules of large dimensions. □Tagora 570 and 970 come with a PMMA diffuser, offering a comfortable diffused light. LED versions use high-output sources. □Integrated electronic power supply, dimmable or non-dimmable options, depending on the version. Only ceiling recessed installation allowed. □Compliant with standard EN60598-1 and other specific standards.

TECHNICAL DRAWINGS



FEATURES

Article Code:	M250531	Material:	Aluminium
Colour:	Blue	Series:	Indoor
Installation:	Recessed		

DIMENSIONS

Weight:	kg 3.8	Cutout diameter:	cm 29.2
Recessed depth:	cm 24	Cutout shape:	Rounded
		Glow Wire Test:	750

INCLUDED SOURCES

Category:	LED	Color temperature (K):	4000K
Number:	1	Color Tolerance:	MacAdam 1SDCM
Watt:	34W	CRI:	90
Type:	0	Service Life:	L70 (6K) 50000h
Class:	A		

LUMINAIRE

Power Supply:	Electronic Integrated	Delivered lumens output (lm):	1926lm
Watt:	34W	CCT:	4000K
Voltage:	220V-240V	Efficiency:	48%
		Efficacy:	47.74lm/W
		CRI:	90
		Dimmable Typology:	Dali