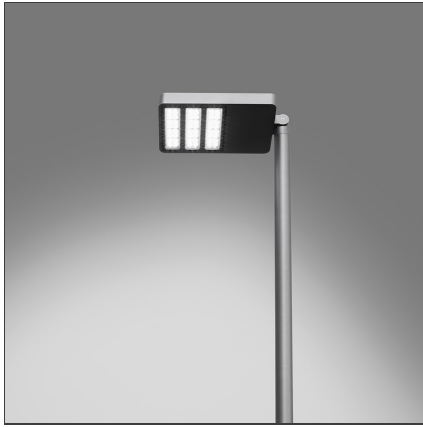


Sostituto Pole



IP65 

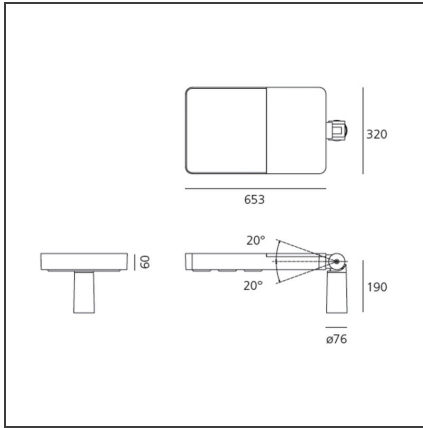
DESIGN BY

Ernesto Gismondi

DESCRIPTION

Light fixture with direct emission, with monochromatic LED light sources. Pole installation (pole not supplied). Consists of lighting unit and 90° adjustable pole joint. Die-cast EN-AB 47100 aluminium lighting unit with 3-stage outdoor treatment: nanotechnologies, antioxidant primer, polyester paint. Asymmetrical high-efficiency PMMA optical units. High-transparency shock-resistant polycarbonate screens. Composed by 3 interchangeable optical units. AISI 316 fixing screws and silicone gaskets. Suitable for ME3a and ME4a road lighting. Technical features in compliance with EN60598-1-2-3. Protection level from 4KV impulse overvoltage. IP Rating IP66. ENEC approved. Insulation class II.

TECHNICAL DRAWINGS



FEATURES

Article Code:	T4183ELN00	Material:	Aluminum, polycarbonate, methacrilate
Colour:	Grey antracite	Series:	Outdoor
Installation:	Pole, Floor		

DIMENSIONS

Length:	cm 60.8	Impact Resistance:	IK10
Width:	cm 32	Glow Wire Test:	750
Height:	cm 600		

INCLUDED SOURCES

Category:	LED	Color temperature (K):	4000K
Number:	1		
Watt:	106W		
Type:	0		
Class:	A		

LUMINAIRE

Watt:	106W	Delivered lumens output (lm):	7609lm
Voltage:	220V-240V	CCT:	4000K
		CRI:	80