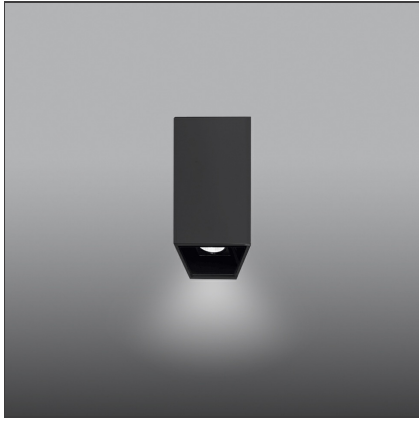


Sharp SMD - 3W 34° 2700K Black



IP20  

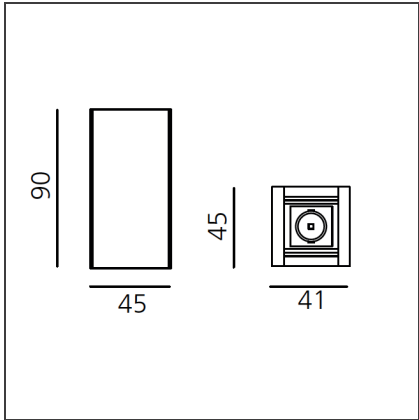
DESIGN BY

Carlotta de Bevilacqua

DESCRIPTION

High-efficiency patented optical system that combines polynomial perspective to an element that shields geometrically the angle of vision of the beam. High uniformity of illumination and full emission control. Complete absence of possible light flaws as stains and multi-shadows. Recessed depth 60 mm. Suitable for a ceiling of 1 to 25 mm. Available in trim versions, trimless and SMD.

TECHNICAL DRAWINGS



FEATURES

Article Code:	AF31104	Series:	Indoor
Colour:	Black		
Installation:	Ceiling		
Environment:	Indoor		

DIMENSIONS

Length:	cm 4.1
Width:	cm 4.5
Height:	cm 9

INCLUDED SOURCES

Category:	LED	Color temperature (K):	2700K
Number:	1		
Watt:	3W		
Type:	0		
Class:	A		

LUMINAIRE

Watt:	3W	Delivered lumens output (lm):	177lm
		CCT:	2700K
		CRI:	>90

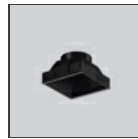
Notes

Screen and CV SELV driver supplied separately.

ACCESSORIES



Driver CV 30W
24Vdc Selv - 220-
240 Vac -
153x41x32
(LxWxH) - up to
25W -
Undimmable
DV1032



Screen 1x White
AF95001



Screen 1x Black
AF95004



Screen 4x Black
AF95204



Screen 4x White
AF95201



Driver CV 75W
24Vdc Selv - 220-
240 Vac -
180x52x30
(LxWxH) - up to
65W -
Undimmable
DV1009



Sharping wall
grazer lens Kit
(4pcs) - 26°x70°
elliptical lenses kit.
It has to be used
on top of S 20°
reflectors to get
an elliptical beam
(greter axis along
the module
length). It contains
4 lenses.
AF06000



Driver CV 120W
24Vdc Selv - 220-
240 Vac -
153x41x32
(LxWxH) - up to
100W -
Undimmable
DV1033