

Reall Floor - Alluminium



IP20    

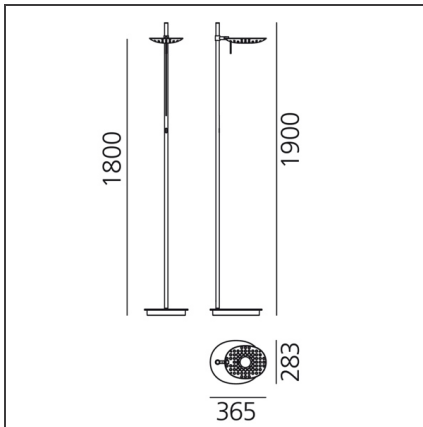
DESIGN BY

Carlotta de Bevilacqua, Paolo Dell'Elce

DESCRIPTION

A single latest-generation LED light source of just 40W guarantees the same illuminance values that are obtainable with a 400W halogen. Visual lightness and thermodynamics are the main characteristics of the project: the head, made of die-cast aluminium, is appropriately shaped and perforated to form a permeable visual interface for the space where it is placed and facilitates heat exchange, guaranteeing optimum dissipation of the heat produced by the light source

TECHNICAL DRAWINGS



FEATURES

Article Code:	- - -	Material:	Aluminium
Colour:	Mirror	Series:	Scenarios
Installation:	Floor	Emission:	Adjustable

DIMENSIONS

Length:	cm 36.5	Glow Wire Test:	750°C
Width:	cm 28.3		
Height:	cm 190		
Base Length:	cm 36.5		
Base Width:	cm 28.3		

INCLUDED SOURCES

Category:	LED	Color temperature (K):	3000K
Number:	1	CRI:	90
Watt:	45W		
Type:	0		
Class:	A		

LUMINAIRE

Watt:	45.0W	Delivered lumens output (lm):	3357lm
		CCT:	3000K
		Efficiency:	100%
		Efficacy:	74.60lm/W
		CRI:	90