

Provoca Wall 3000K Gray/white



IP65   

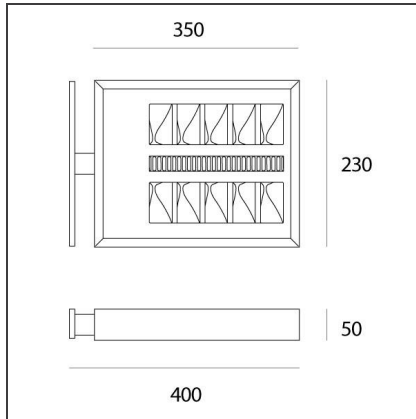
DESIGN BY

Ernesto Gismondi

DESCRIPTION

The LED circuits are directly anchored to the aluminium casing of the body in order to maximize heat dissipation. Moreover, some dissipation fins have been included in the product design to increase the heat exchange surface with external air. The grid in the central part of the product allows natural air circulation, which cools the dissipation surface. Due to a natural convective motion, cold air removes heat from the dissipation grid, it heats up and moves upwards, through the lighting unit, getting new fresh air from the lower part. In this way, LEDs are maintained at a lower temperature and their life time and light efficiency increase. Consist of lighting unit and wall support. Lighting unit in painted die-cast EN-AB 47100 aluminium. High-performance asymmetrical optics in metalised polycarbonate. Screens in shock resistant, high transparent tempered glass. Wall support in painted steel. Painting is obtained with 3-stage outdoor treatment: nanotechnologies, antioxidant primer, polyester paint. AISI 316 stainless steel screws and silicone seal gaskets. Technical features of light fixtures in compliance with EN60598-1. IP Rating IP65. ENEC approved. Insulation class I.

TECHNICAL DRAWINGS



FEATURES

Article Code:	T085410	Material:	Aluminum, polycarbonate, tempered glass
Colour:	Gray/white	Series:	Scenarios
Installation:	Pole, Wall	Emission:	Direct
Environment:	Outdoor		

DIMENSIONS

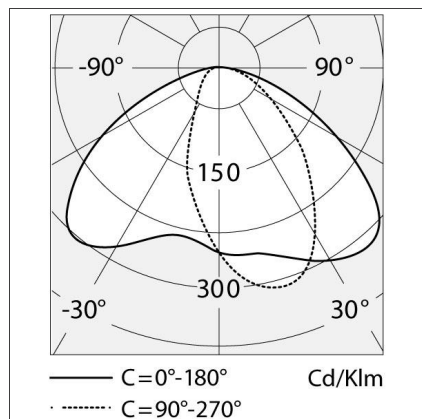
Length:	cm 40	Impact Resistance:	IK06
Width:	cm 23	Glow Wire Test:	650
Height:	cm 5		

INCLUDED SOURCES

Category:	LED	Color temperature (K):	3000K
Number:	1	CRI:	80
Watt:	25W		
Type:	0		
Class:	A		

LUMINAIRE

Watt:	25W	Delivered lumens output (lm):	1502lm
Voltage:	220V-240V	CCT:	3000K
		CRI:	80

LIGHT DISTRIBUTION**ACCESSORIES**

PROVOCA
ATTACCO A
PARETE
T085600