

# Provoca Pole 4000K Gray/white



IP65   

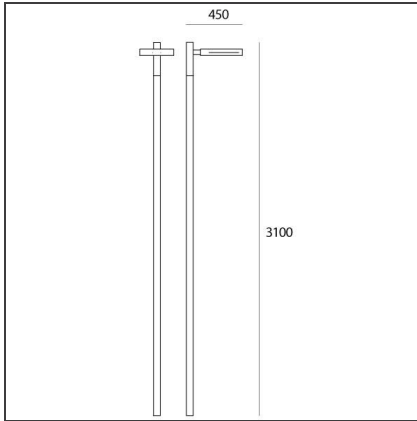
## DESIGN BY

Ernesto Gismondi

## DESCRIPTION

The LED circuits are directly anchored to the aluminium casing of the body in order to maximize heat dissipation. Moreover, some dissipation fins have been included in the product design to increase the heat exchange surface with external air. The grid in the central part of the product allows natural air circulation, which cools the dissipation surface. Due to a natural convective motion, cold air removes heat from the dissipation grid, it heats up and moves upwards, through the lighting unit, getting new fresh air from the lower part. In this way, LEDs are maintained at a lower temperature and their life time and light efficiency increase. Head-pole fixture consist of lighting unit and pole connection. 50x50mm square pole installation with 40x120mm square shank (not supplied). Lighting unit in painted die-cast EN-AB 47100 aluminium. High-performance asymmetrical optics in metalised polycarbonate. Screens in shock resistant, high transparent tempered glass. Head-pole fitting in painted steel. Painting is obtained with 3-stage outdoor treatment: nanotechnologies, antioxidant primer, polyester paint. AISI 316 stainless steel screws and silicone seal gaskets. Technical features of light fixtures in compliance with EN60598-1. IP Rating IP65. ENEC approved. Insulation class I.

## TECHNICAL DRAWINGS



## FEATURES

<b>Article Code:</b>	T085400	<b>Material:</b>	Aluminum, polycarbonate, tempered glass
<b>Colour:</b>	Gray/white	<b>Series:</b>	Scenarios
<b>Installation:</b>	Pole, Wall	<b>Emission:</b>	Direct
<b>Environment:</b>	Outdoor		

## DIMENSIONS

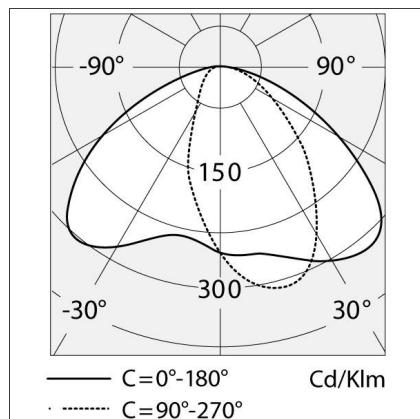
<b>Length:</b>	cm 45	<b>Impact Resistance:</b>	IK06
<b>Width:</b>	cm 23	<b>Glow Wire Test:</b>	650
<b>Height:</b>	cm 25		

## INCLUDED SOURCES

<b>Category:</b>	LED	<b>Color temperature (K):</b>	4000K
<b>Number:</b>	1	<b>CRI:</b>	80
<b>Watt:</b>	25W		
<b>Type:</b>	0		
<b>Class:</b>	A		

## LUMINAIRE

<b>Watt:</b>	25W	<b>Delivered lumens output (lm):</b>	1400m
<b>Voltage:</b>	220V-240V	<b>CCT:</b>	4000K
		<b>CRI:</b>	80

**LIGHT DISTRIBUTION****ACCESSORIES**

PROVOCA  
ATTACCO X PALO  
T085500



PROVOCA PALO  
50X50 H 300 CM  
T085200