

## Picto 70 LED track vertical - black 50° 3000K - Not dimmable



IP20   

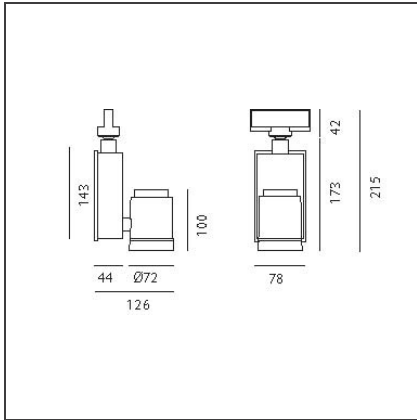
### DESIGN BY

Studio Artemide

### DESCRIPTION

This range of professional projectors is distinguished by design, excellent performance and flexibility. Picto is a complete and versatile range, suitable for use in retail spaces, showrooms, museums or art galleries. Available in 3 sizes, installation options, designs, colours, optics and a wide range of accessories.

### TECHNICAL DRAWINGS



### FEATURES

|                      |                              |                       |                                 |
|----------------------|------------------------------|-----------------------|---------------------------------|
| <b>Article Code:</b> | AD01304                      | <b>Material:</b>      | aluminum                        |
| <b>Colour:</b>       | Black                        | <b>Series:</b>        | Indoor                          |
| <b>Installation:</b> | Projector, Track,<br>Ceiling | <b>Area contract:</b> | Hospitality, Retail,<br>Culture |
| <b>Environment:</b>  | Indoor                       |                       |                                 |

### DIMENSIONS

|                     |         |                        |     |
|---------------------|---------|------------------------|-----|
| <b>Length:</b>      | cm 7.8  | <b>Glow Wire Test:</b> | 850 |
| <b>Height:</b>      | cm 21.5 |                        |     |
| <b>Weight:</b>      | kg 1.2  |                        |     |
| <b>Inclination:</b> | -90+90  |                        |     |
| <b>Rotation:</b>    | cm 355  |                        |     |

### INCLUDED SOURCES

|                  |      |                               |                      |
|------------------|------|-------------------------------|----------------------|
| <b>Category:</b> | LED  | <b>Color temperature (K):</b> | 3000 K               |
| <b>Number:</b>   | 1    | <b>Color Tolerance:</b>       | MacAdam 2SDCM        |
| <b>Watt:</b>     | 20 W | <b>Service Life:</b>          | Life L70 (6K) 50000h |
| <b>Type:</b>     | 0    |                               |                      |
| <b>Class:</b>    | A    |                               |                      |

### LUMINAIRE

|                      |  |                                      |           |
|----------------------|--|--------------------------------------|-----------|
| <b>Power Supply:</b> | Power supply<br>220/240Vac 50/60Hz<br>included | <b>Delivered lumens output (lm):</b> | 1822lm    |
| <b>Watt:</b>         | 20W  | <b>CCT:</b>                          | 3000K     |
|                      |  | <b>Efficiency:</b>                   | 89%       |
|                      |  | <b>Efficacy:</b>                     | 91.09lm/W |
|                      |  | <b>CRI:</b>                          | 90        |

**ACCESSORIES**

Accessory-holder  
(white) +  
Adjustable dowser  
(black)  
M082817



Accessory for  
ceiling installation  
(black)  
L176330



Accessory-holder  
(bianco) +  
Projection lens for  
gobo. Customized  
gobo to be  
ordered  
separately  
M083817



Accessory-holder  
(white) + wall  
washer screen  
(black)  
M083017



Accessory-holder  
(white) +  
projection lens  
and framing  
device  
M083917