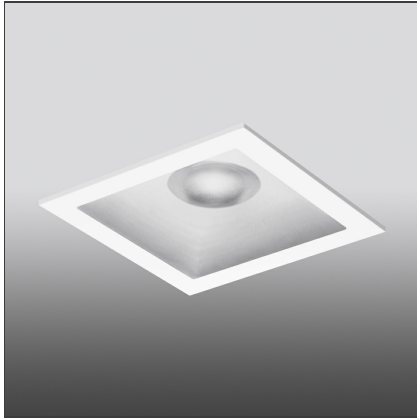


Parabola100_Square_17W_3000K_50°_White



IP40  Dimmerable: 

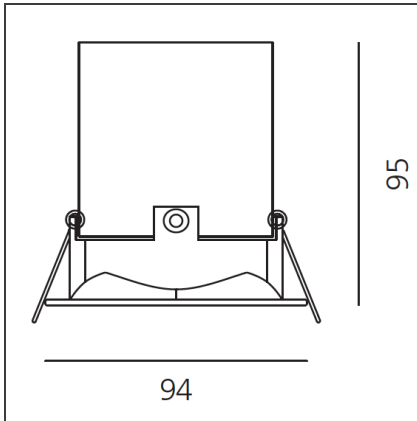
DESIGN BY

Studio Artemide

DESCRIPTION

• Light fixture with high-performance LED light sources. • Ceiling installation. • Composed by: frame, body, lens, fixing springs. • Frame in injection mould of aluminium. • Heat sink body in extruded aluminium. • Lens in polycarbonate with 3 different versions of beam. • Fixing springs in harmonic steel. • White monochromatic LEDs available in 3 colours temperatures: Very Warm = 2700K Warm = 3000K Neutral = 4000K • Electrical connection to the driver by means of a FEP-FEP cable and a terminal board. • IP Rating IP40. • Insulation class III. • Technical features of light fixtures in compliance with EN60598-1. • Installation must be carried out by specialized personnel. • Carefully follow the instructions.

TECHNICAL DRAWINGS



FEATURES

| | | | |
|----------------------|-------------------|-----------------------|---|
| Article Code: | NL1907340K006 | Material: | Aluminium |
| Colour: | White | Series: | Indoor |
| Installation: | Recessed, Ceiling | Area contract: | Hospitality, null, Retail, Office, Culture, Residential |
| Environment: | Indoor | | |

DIMENSIONS

| | |
|------------------------|--------|
| Weight: | kg 0.5 |
| Base Length: | cm 9.4 |
| Base Width: | cm 9.4 |
| Recessed depth: | cm 9.5 |

INCLUDED SOURCES

| | | | |
|--------------------------------------|--------|-------------------------------|------------------|
| Category: | LED | Color temperature (K): | 3000K |
| Number: | 1 | Color Tolerance: | MacAdam 3SDCM |
| Watt: | 17W | CRI: | 90 |
| Delivered lumens output (lm): | 2103lm | Efficacy: | 124lm/W |
| Type: | 0 | Service Life: | L70(6K) > 60000h |
| Class: | A | | |

LUMINAIRE

| | | | |
|--------------|-----|--------------------------------------|--------|
| Watt: | 17W | Delivered lumens output (lm): | 1560lm |
| | | CCT: | 3000K |
| | | CRI: | 90 |

ACCESSORIES

NO
IMAGE
AVAILABLE

Driver cc 32W
700mA DALI
dimmable
M079200

NO
IMAGE
AVAILABLE

DRIVER cc 32W
700mA 220-240
103 67 21 1max 1-
10V, push
M079300

NO
IMAGE
AVAILABLE

DRIVER cc 20W
5000mA 220-240
125 38 23 1max
Non dimmable
M077600