

Pantarei 190 LED Polycarbonate IK10 Silver



IP65    

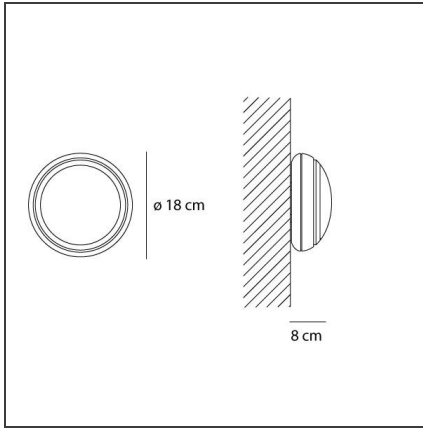
DESIGN BY

Ernesto Gismondi

DESCRIPTION

Phospho-cromated die-cast aluminium structure, painted with polyester for maximum resistance to oxidation; inox-steel screws and bolts in silicone rubber. Diffuser in shock resistant opal polycarbonate.

TECHNICAL DRAWINGS



FEATURES

Article Code:	T277790	Material:	Aluminum, polycarbonate
Colour:	Silver	Series:	Outdoor
Installation:	Wall, Ceiling	Emission:	Diffused
Environment:	Indoor		

DIMENSIONS

Height:	cm 8	Impact Resistance:	IK10
		Glow Wire Test:	850

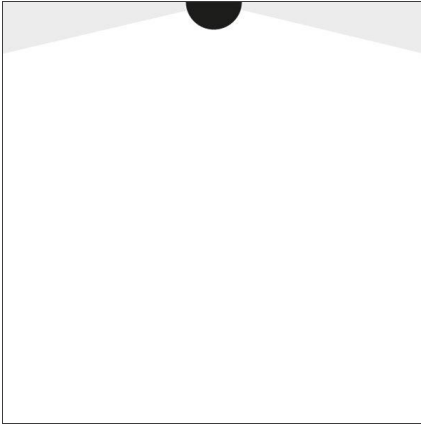
INCLUDED SOURCES

Category:	LED	Color temperature (K):	3000K
Number:	1	CRI:	80
Watt:	11W		
Type:	0		
Class:	A		

LUMINAIRE

Watt:	10W	Delivered lumens output (lm):	322lm
Voltage:	220V-240V	CCT:	3000K
		Efficiency:	39%
		Efficacy:	32.19lm/W
		CRI:	90

LIGHT DISTRIBUTION



We reserve the right to change our product specifications.
Please visit www.artemide.com for the latest product information

March 2019