

Pad for Algoritmo - 14,5W 4000K - 12°



IP40 

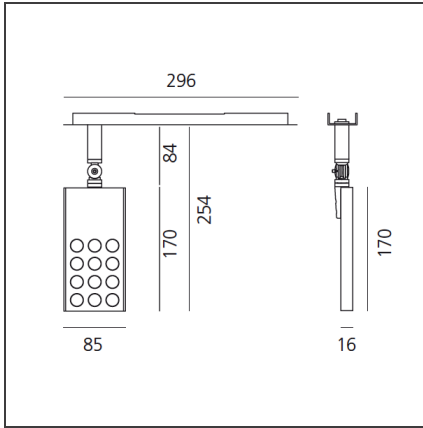
DESIGN BY

Carlotta de Bevilacqua

DESCRIPTION

Adjustable LED projector with a special plate for mounting into modules of Algoritmo. Body made from aluminium and translucent plastic material. White LED with Warm White or Neutral White tone. Choice of 3 beam angles. Tilt angle of up to 90°, rotation of up to 358°. Integral power supply unit. Complies with standard EN60598-1 and other specific standards.

TECHNICAL DRAWINGS



FEATURES

| | | | |
|----------------------|-------------------------------------|-----------------------|-----------------|
| Article Code: | M200102 | Material: | Aluminium |
| Colour: | Translucent/Bright anodized | Series: | Indoor |
| Installation: | Projector, Track, Recessed, Ceiling | Area contract: | Retail, Culture |
| Environment: | Indoor | Emission: | Accent Lighting |

DIMENSIONS

| | | | |
|---------------------|----------|------------------------|-----|
| Length: | cm 8.5 | Glow Wire Test: | 650 |
| Width: | cm 1.6 | | |
| Height: | cm 17 | | |
| Weight: | kg 0.5 | | |
| Inclination: | cm 9,090 | | |
| Rotation: | cm 358 | | |

INCLUDED SOURCES

| | | | |
|------------------|-----|-------------------------------|-------|
| Category: | LED | Color temperature (K): | 4000K |
| Number: | 1 | | |
| Watt: | 12W | | |
| Type: | 0 | | |
| Class: | A | | |

LUMINAIRE

| | | | |
|----------------------|-----------------------|--------------------------------------|-----------|
| Power Supply: | Electronic Integrated | Delivered lumens output (lm): | 880lm |
| Watt: | 14.5W | CCT: | 4000K |
| Voltage: | 220V-240V | Efficiency: | 100% |
| | | Efficacy: | 60.69lm/W |
| | | CRI: | 0 |

Notes

LED 13W 2x6° 4000K