

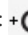


## Orbiter Ceiling



IP20   Dimmerable: 

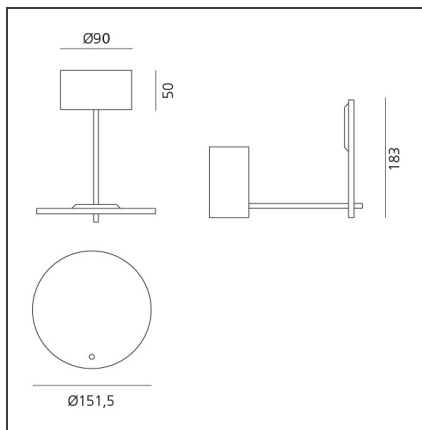
### DESIGN BY

Neil Poulton

### DESCRIPTION

Orbiter is a wall or ceiling lamp producing indirect light. The LED source is located on a disk mounted off the wall to ensure optimal indirect emission, obtained through reflection on the wall. The LED, located on the disk at the opposite end of the shaft, projects a sheer geometric contrast of shades on the area, intercepting the cylinder-shaped base. The disk turns around the supporting stem, thus allowing to adjust light emission and defining ever-changing light-and shade patterns.

### TECHNICAL DRAWINGS



### FEATURES

<b>Article Code:</b>	1613010A	<b>Material:</b>	Aluminium, ABS, steel
<b>Colour:</b>	White	<b>Series:</b>	Design
<b>Installation:</b>	Wall, Ceiling		

### DIMENSIONS

<b>Height:</b>	cm 19	<b>Glow Wire Test:</b>	750
<b>Base Width:</b>	cm 5.1		
<b>Base Diameter:</b>	cm 9		

### INCLUDED SOURCES

<b>Category:</b>	LED	<b>Color temperature (K):</b>	3000K
<b>Number:</b>	1	<b>Color Tolerance:</b>	MacAdam 2SDCM
<b>Watt:</b>	17.75W	<b>CRI:</b>	90
<b>Delivered lumens output (lm):</b>	1844lm	<b>Efficacy:</b>	104lm/W
<b>Type:</b>	0	<b>Service Life:</b>	50000-L70

### LUMINAIRE

<b>Watt:</b>	20W	<b>Delivered lumens output (lm):</b>	1494lm
<b>Voltage:</b>	220-240V	<b>CCT:</b>	3000K
		<b>Efficiency:</b>	79%
		<b>Efficacy:</b>	75lm/W
		<b>CRI:</b>	90
		<b>Dimmable Typology:</b>	Push