

Niki LED Satin



IP65

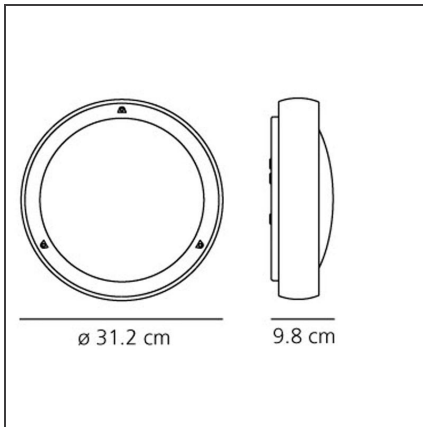
DESIGN BY

Ernesto Gismondi

DESCRIPTION

Wall and ceiling luminaire for interior and exterior use. Body in stainless steel; diffuser in prismatic and satinized moulded glass.

TECHNICAL DRAWINGS



FEATURES

| | | | |
|----------------------|---------------|------------------|------------------------|
| Article Code: | AH00015 | Material: | Steel, prismatic glass |
| Colour: | Satin | Series: | Outdoor |
| Installation: | Wall, Ceiling | Emission: | Diffused |
| Environment: | Outdoor | | |

DIMENSIONS

| | | | |
|----------------|--------|---------------------------|------|
| Height: | cm 9.8 | Impact Resistance: | IK05 |
|----------------|--------|---------------------------|------|

INCLUDED SOURCES

| | | | |
|------------------|-----|-------------------------------|-------|
| Category: | LED | Color temperature (K): | 3000K |
| Number: | 1 | CRI: | 80 |
| Watt: | 14W | | |
| Type: | 0 | | |
| Class: | A | | |

LUMINAIRE

| | | | |
|-----------------|-----------|--------------------------------------|-------|
| Watt: | 14W | Delivered lumens output (lm): | 705lm |
| Voltage: | 220V-240V | CCT: | 3000K |
| | | CRI: | 80 |

Notes

Suitability of the equipment for "cascade".