

## Niki LED Retrofit Gloss



IP65    

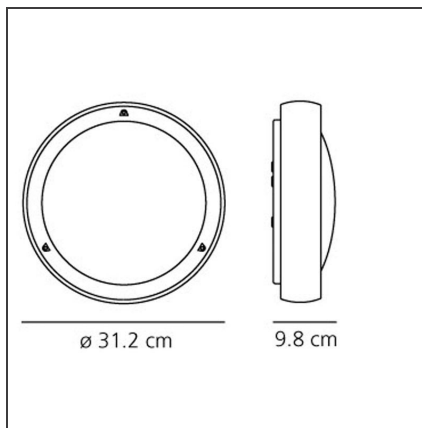
### DESIGN BY

Ernesto Gismondi

### DESCRIPTION

Wall and ceiling luminaire for interior and exterior use. Body in stainless steel; diffuser in prismatic and satinized moulded glass.

### TECHNICAL DRAWINGS



### FEATURES

|                      |               |                  |                        |
|----------------------|---------------|------------------|------------------------|
| <b>Article Code:</b> | AH10013       | <b>Material:</b> | Steel, prismatic glass |
| <b>Colour:</b>       | Gloss         | <b>Series:</b>   | Outdoor                |
| <b>Installation:</b> | Wall, Ceiling | <b>Emission:</b> | Diffused               |
| <b>Environment:</b>  | Outdoor       |                  |                        |

### DIMENSIONS

|                |        |                           |      |
|----------------|--------|---------------------------|------|
| <b>Height:</b> | cm 9.8 | <b>Impact Resistance:</b> | IK05 |
|----------------|--------|---------------------------|------|

### SOURCES NOT INCLUDED

|                  |     |
|------------------|-----|
| <b>Category:</b> | LED |
| <b>Number:</b>   | 1   |
| <b>Watt:</b>     | 75W |
| <b>Type:</b>     | 2   |
| <b>Socket:</b>   | E27 |
| <b>Class:</b>    | A   |

### LUMINAIRE

|                 |           |
|-----------------|-----------|
| <b>Watt:</b>    | 75W       |
| <b>Voltage:</b> | 220V-240V |

### Notes

Suitability of the equipment for "cascade".