

Niki LED LFL Gloss



IP65

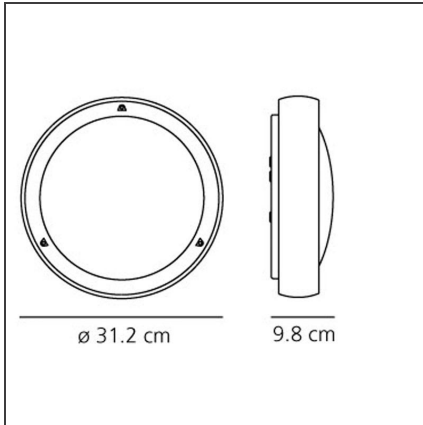
DESIGN BY

Ernesto Gismondi

DESCRIPTION

Wall and ceiling luminaire for interior and exterior use. Body in stainless steel; diffuser in prismatic and satinized moulded glass.

TECHNICAL DRAWINGS



FEATURES

Article Code:	AH20013	Material:	Steel, prismatic glass
Colour:	Gloss	Series:	Outdoor
Installation:	Wall, Ceiling	Emission:	Diffused
Environment:	Outdoor		

DIMENSIONS

Height:	cm 9.8	Impact Resistance:	IK05
----------------	--------	---------------------------	------

INCLUDED SOURCES

Category:	LED	Color temperature (K):	3000K
Number:	1	CRI:	80
Watt:	14W		
Type:	0		
Class:	A		

LUMINAIRE

Watt:	14W	Delivered lumens output (lm):	483lm
Voltage:	220V-240V	CCT:	3000K
		CRI:	80

Notes

Suitability of the equipment for "cascade".