

**Niki LED Gloss**



IP65    

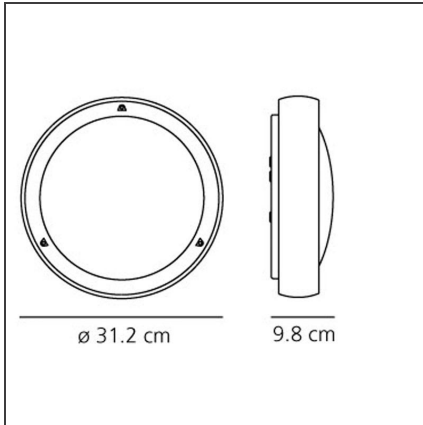
**DESIGN BY**

Ernesto Gismondi

**DESCRIPTION**

Wall and ceiling luminaire for interior and exterior use. Body in stainless steel; diffuser in prismatic and satinized moulded glass.

**TECHNICAL DRAWINGS**



**FEATURES**

<b>Article Code:</b>	AH00013	<b>Material:</b>	Steel, prismatic glass
<b>Colour:</b>	Gloss	<b>Series:</b>	Outdoor
<b>Installation:</b>	Wall, Ceiling	<b>Emission:</b>	Diffused
<b>Environment:</b>	Outdoor		

**DIMENSIONS**

<b>Height:</b>	cm 9.8	<b>Impact Resistance:</b>	IK05
----------------	--------	---------------------------	------

**INCLUDED SOURCES**

<b>Category:</b>	LED	<b>Color temperature (K):</b>	3000K
<b>Number:</b>	1	<b>CRI:</b>	80
<b>Watt:</b>	14W		
<b>Type:</b>	0		
<b>Class:</b>	A		

**LUMINAIRE**

<b>Watt:</b>	14W	<b>Delivered lumens output (lm):</b>	705lm
<b>Voltage:</b>	220V-240V	<b>CCT:</b>	3000K
		<b>CRI:</b>	80

**Notes**

Suitability of the equipment for "cascade".