

New Nature 2700K



IP20

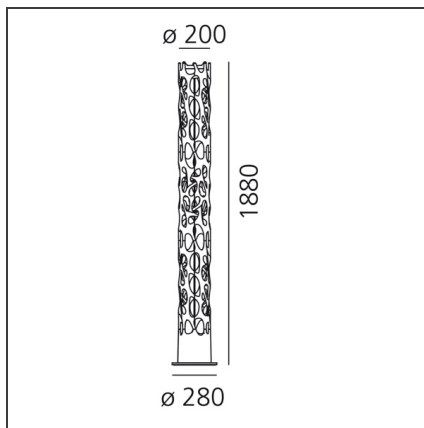
DESIGN BY

Ross Lovegrove

DESCRIPTION

"This high investment, highly developed product plays with fluidbotanic geometries to define a new light condition in space, casting intersecting light and shadow onto walls and surfaces in a very three-dimensional way"

TECHNICAL DRAWINGS



FEATURES

Article Code:	1157W10A	Material:	Technopolymer, aluminum, steel
Installation:	Floor	Series:	Design
Environment:	Indoor	Area contract:	null, Retail, Office, Residential
		Emission:	Indirect and diffused

DIMENSIONS

Height:	cm 188	Impact Resistance:	N/A
Base Diameter:	cm 28	Glow Wire Test:	650°C

INCLUDED SOURCES

Category:	LED	Color temperature (K):	3000K
Number:	1		
Watt:	10W		
Delivered lumens output (lm):	300lm		
Type:	0		
Class:	A		
Category:	LED	Color temperature (K):	2700K
Number:	1	Color Tolerance:	MacAdam 2SDCM
Watt:	43W	CRI:	90
Delivered lumens output (lm):	3955lm		
Type:	0		
Class:	A		

LUMINAIRE

Watt:	43W	Delivered lumens output (lm):	3132lm
		CCT:	2700K
		Efficiency:	86%
		Efficacy:	72.84lm/W
		CRI:	90