

Minispot 17° 3000K



IP65  

DESIGN BY

Studio Artemide

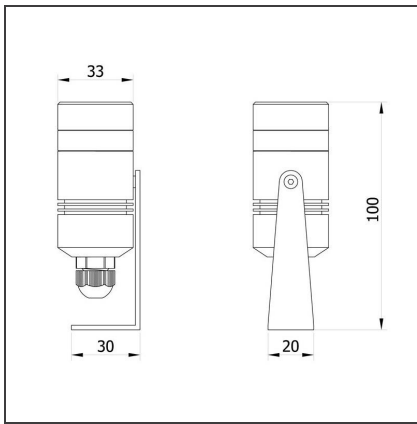
DESCRIPTION

Light fixture with high-performance LED light sources.
 Ground, floor, wall installation.
 Composed by body, metal ring, diffuser in transparent polycarbonate.
 Body and metal ring in computer numerical control machined billet anticorrosion aluminium.
 Painted spot with 2-stage outdoor treatment:
 primer, outdoor paint.
 Silicone gaskets.
 100cm-long two-pole connection cable H05RN-F.

Picket for ground installation in galvanized sheet iron.

Technical features of light fixtures in compliance with EN60598-1 and part 2-13.

TECHNICAL DRAWINGS



FEATURES

Article Code:	NL702910K0	Series:	Outdoor
Colour:	Silver	Area contract:	null, Outdoor
Installation:	Floor, Wall, Ceiling		

DIMENSIONS

Width:	cm 2
Height:	cm 10

INCLUDED SOURCES

Category:	LED	Color temperature (K):	3000K
Number:	1	LED current:	700 mA
Watt:	3 W		
Type:	0		
Class:	A		

LUMINAIRE

Watt:	3W	Delivered lumens output (lm):	100lm
		CCT:	3000K
		Efficiency:	71%
		Efficacy:	49.77lm/W
		CRI:	80

Notes

Fixed optic. PMMA lenses. Beams (10°).

White monochromatic LEDs available

Colour temperatures:

Warm = 3000K

ACCESSORIES

NO
IMAGE
AVAILABLE

EGO PICCHETTO
NL97150

NO
IMAGE
AVAILABLE

ALIMENT. 12W
700mA IP67
NL19024

NO
IMAGE
AVAILABLE

ALIMENT. 21W
700mA IP67
NL19028

NO
IMAGE
AVAILABLE

ALIMENT. 35W
700mA IP67
NL19029