

Microled



IP65/67  

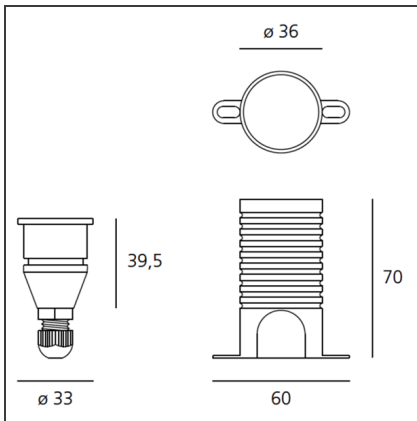
DESIGN BY

Studio Artemide

DESCRIPTION

Light fixture with LED light sources. Floor installation. Consist of diffuser, body, ring, housing. Diffuser in glass, 3mm-thick. Body in technopolymer, with or without frame. Ring in stainless steel AISI 316L. Housing in plastic material (available separately). Remote driver. Electrical connection to the ballast by means of a two-pole H05RN-F cable and appropriate IP68 terminal board. White monochromatic LEDs available in 2 colour temperatures: Warm = 3000K Neutral = 4000K IP67 protection rating. Insulation class III. Technical features of light fixtures in compliance with EN60598-1. Installation must be carried out by specialized personnel. Carefully follow the instructions.

TECHNICAL DRAWINGS



FEATURES

Article Code:	NL42036VSK0	Material:	Black
Installation:	Recessed		PVC, Polycarbonate.
Environment:	Outdoor	Series:	Scenarios

DIMENSIONS

Weight:	kg 0.2	Cutout diameter:	cm 3.6
Base Diameter:	cm 3.3	Cutout shape:	Rounded
Recessed depth:	cm 7		

INCLUDED SOURCES

Category:	LED	Color temperature (K):	3000K
Number:	1	Voltage:	12Vdc
Watt:	0,5W		
Delivered lumens output (lm):	6,9lm		
Type:	0		
Class:	A		

LUMINAIRE

Power Supply:	Electronic	Delivered lumens output (lm):	6,9lm
Watt:	0,5W	CCT:	3000K
Voltage:	12V	CRI:	75

ACCESSORIES

NO
IMAGE
AVAILABLE

ALIMENT. 12W
12Vdc IP67
NL19027

NO
IMAGE
AVAILABLE

ALIMENT. 40W
12Vdc IP67
NL6203

NO
IMAGE
AVAILABLE

Cassaforma
microled
NL42040H0