

M141621 - Airlite semirecessed stable white White 4000K 17°- Dimmerable Dali



IP20  Dimmerable: 

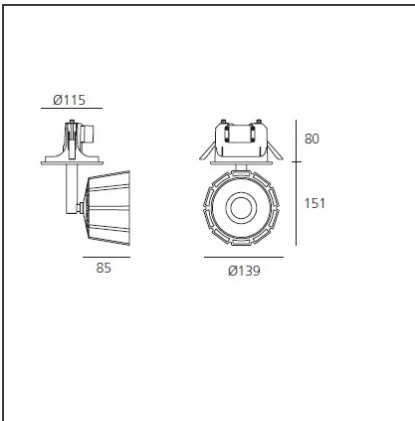
DESIGN BY

Carlotta de Bevilacqua, Paola di Arianello

DESCRIPTION

Boasting elevated luminous flux, excellent colour rendering, energy efficiency, and a light compact design, Airlite is an innovative range of LED spotlights with exceptional photometric performance and flexibility. Thanks to an innovative heat dissipation system, air is filtered through open gaps in the die-cast aluminium body ensuring the efficiency and long life of our LED module. The hybrid optical system provides defined narrow beams, while keeping the light fixture dimensions compact.

TECHNICAL DRAWINGS



FEATURES

Article Code:	M141621	Material:	Aluminium
Colour:	White	Series:	Scenarios
Installation:	Projector, Recessed	Area contract:	Retail
		Emission:	Diretta orientabile

DIMENSIONS

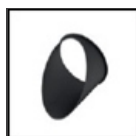
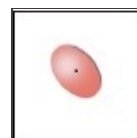
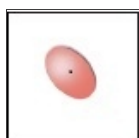
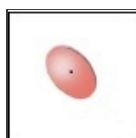
Weight:	kg 1.3
Base Width:	cm 8

INCLUDED SOURCES

Category:	LED	Color temperature (K):	4000 K
Number:	1	Color Tolerance:	MacAdam 3SDCM
Watt:	30 W	CRI:	=80
Delivered lumens output (lm):	3564 lm	Efficacy:	119 lm/W
Type:	2	Service Life:	>50000h
Class:	A		

LUMINAIRE

Watt:	35W	Delivered lumens output (lm):	3483lm
Voltage:	220-240V	CCT:	4000K
		Efficiency:	76%
		Efficacy:	99.51lm/W
		CRI:	90

ACCESSORIESPortaccessori
M077820Lente per
emissione ellittica
M078700Filtro soft
M078800Griglia frangiluce
M078400Paraluce
asimmetrico
M078500Alette orientabili
M078600Filtro cromatico
M078900Filtro cromatico
M079000Filtro cromatico
M079100