

M141611 - Airlite semirecessed stable white Black 4000K 17°- Dimmerable Dali



IP20  Dimmerable: 

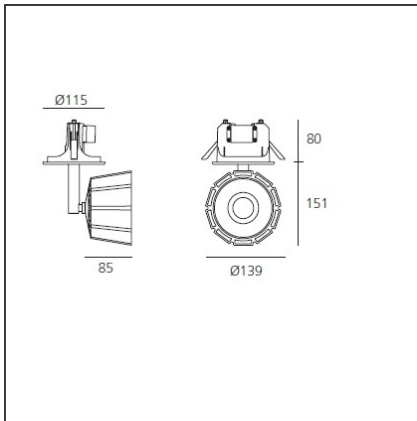
DESIGN BY

Carlotta de Bevilacqua, Paola di Arianello

DESCRIPTION

Boasting elevated luminous flux, excellent colour rendering, energy efficiency, and a light compact design, Airlite is an innovative range of LED spotlights with exceptional photometric performance and flexibility. Thanks to an innovative heat dissipation system, air is filtered through open gaps in the die-cast aluminium body ensuring the efficiency and long life of our LED module. The hybrid optical system provides defined narrow beams, while keeping the light fixture dimensions compact.

TECHNICAL DRAWINGS



FEATURES

Article Code:	M141611	Material:	Aluminium
Colour:	Black	Series:	Scenarios
Installation:	Projector, Recessed	Area contract:	Retail
		Emission:	Diretta orientabile

DIMENSIONS

Weight:	kg 1.3
Base Width:	cm 8

INCLUDED SOURCES

Category:	LED	Color temperature (K):	4000 K
Number:	1	Color Tolerance:	MacAdam 3SDCM
Watt:	30 W	CRI:	=80
Delivered lumens output (lm):	3564 lm	Efficacy:	119 lm/W
Type:	2	Service Life:	>50000h
Class:	A		

LUMINAIRE

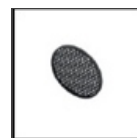
Watt:	35W	Delivered lumens output (lm):	3483lm
Voltage:	220-240V	CCT:	4000K
		Efficiency:	76%
		Efficacy:	99.51lm/W
		CRI:	90

ACCESSORIES

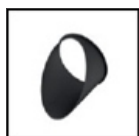
Lente per
emissione ellittica
M078700



Filtro soft
M078800



Griglia frangiluce
M078400



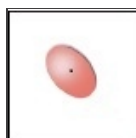
Paraluce
asimmetrico
M078500



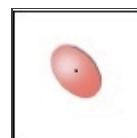
Alette orientabili
M078600



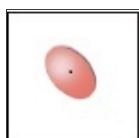
Portaccessori
M077810



Filtro cromatico
M078900



Filtro cromatico
M079000



Filtro cromatico
M079100